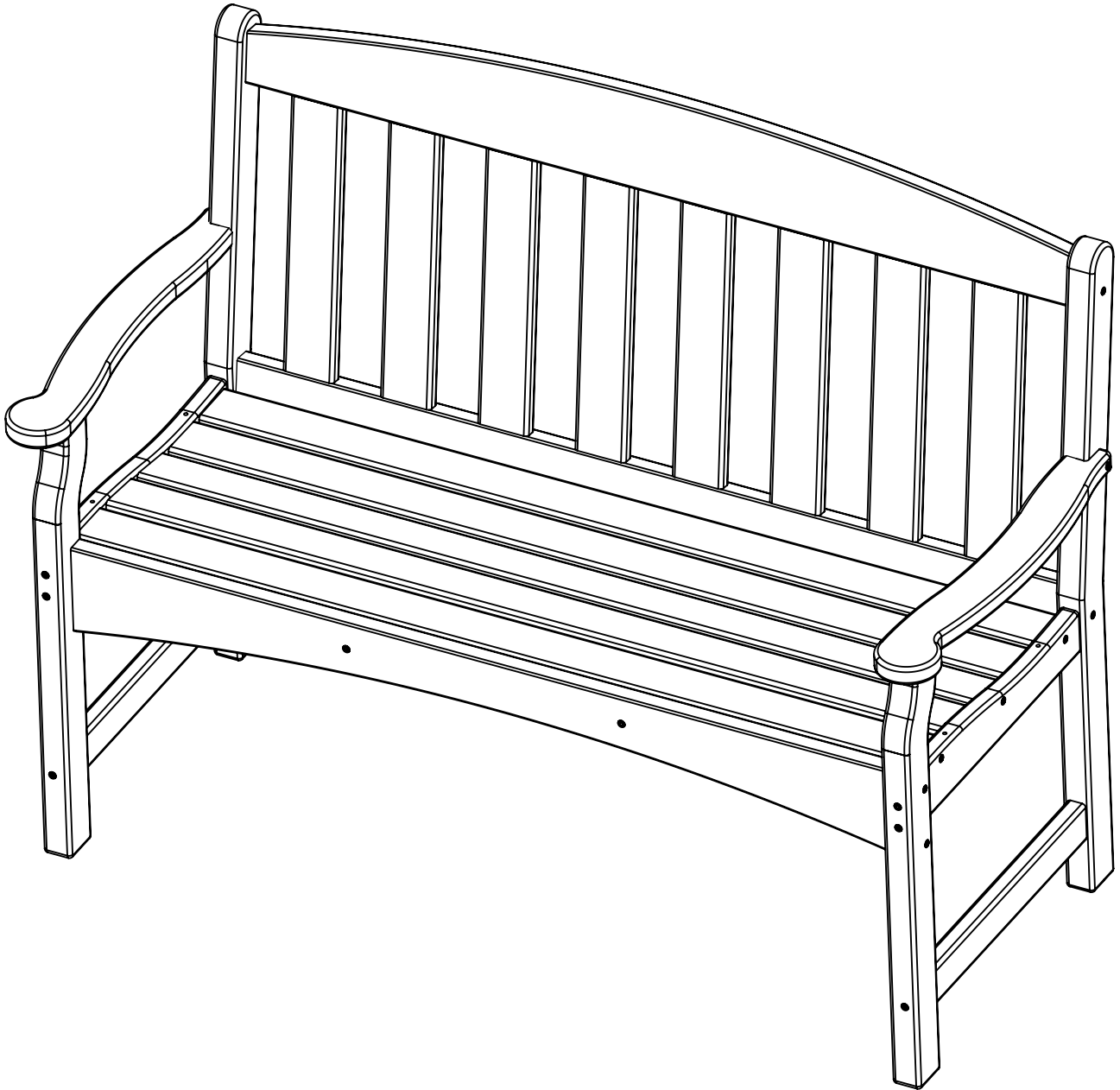


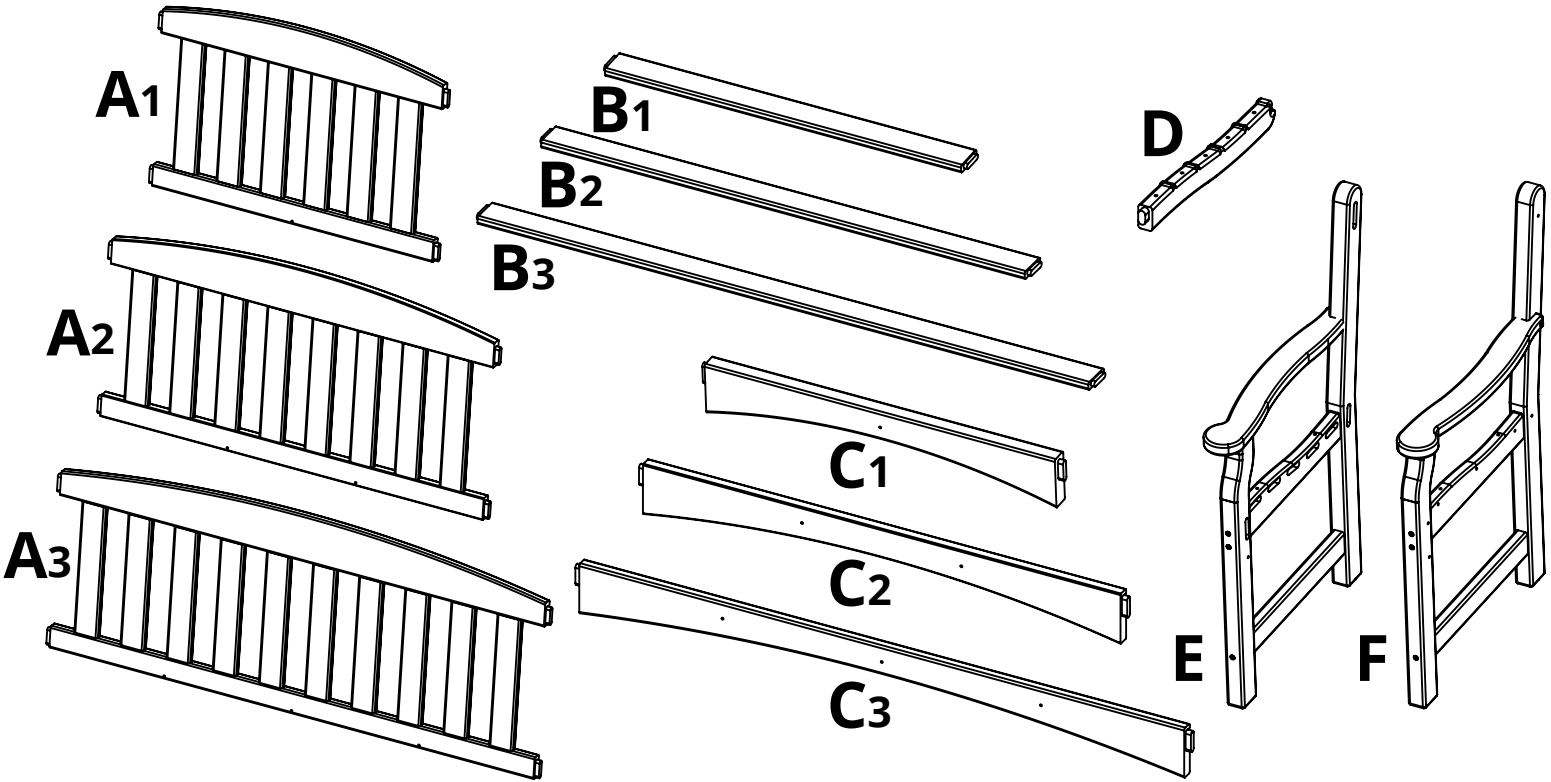
breezesta™

SKYLINE GARDEN BENCH

SK-0405-36, SK-0405-48, SK-0405-60

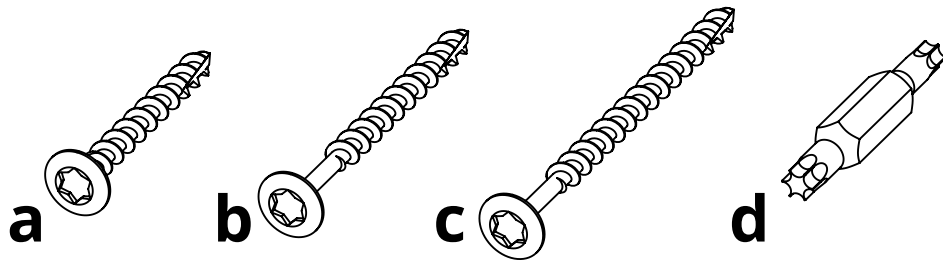


REV00-1/19



PARTS

PART	DESCRIPTION	PART NO.	QTY 36"	QTY 48"	QTY 60"
A1	BACK ASSEMBLY	SA-00170	1	-	-
A2	BACK ASSEMBLY	SA-00171	-	1	-
A3	BACK ASSEMBLY	SA-00173	-	-	1
B1	36IN SEAT SLAT	SS-33.562	5	-	-
B2	48IN SEAT SLAT	SS-45.562	-	5	-
B3	60IN SEAT SLAT	SS-57.562	-	-	5
C1	FRONT RAIL 36"	PRT-00318	1	-	-
C2	FRONT RAIL 48"	SA-00197	-	1	-
C3	FRONT RAIL 60"	SA-00198	-	-	1
D	SEAT SUPPORT	PRT-00294	1	2	3
E	LEFT SIDE ASSEMBLY	SA-00159	1	1	1
F	RIGHT SIDE ASSEMBLY	SA-00160	1	1	1

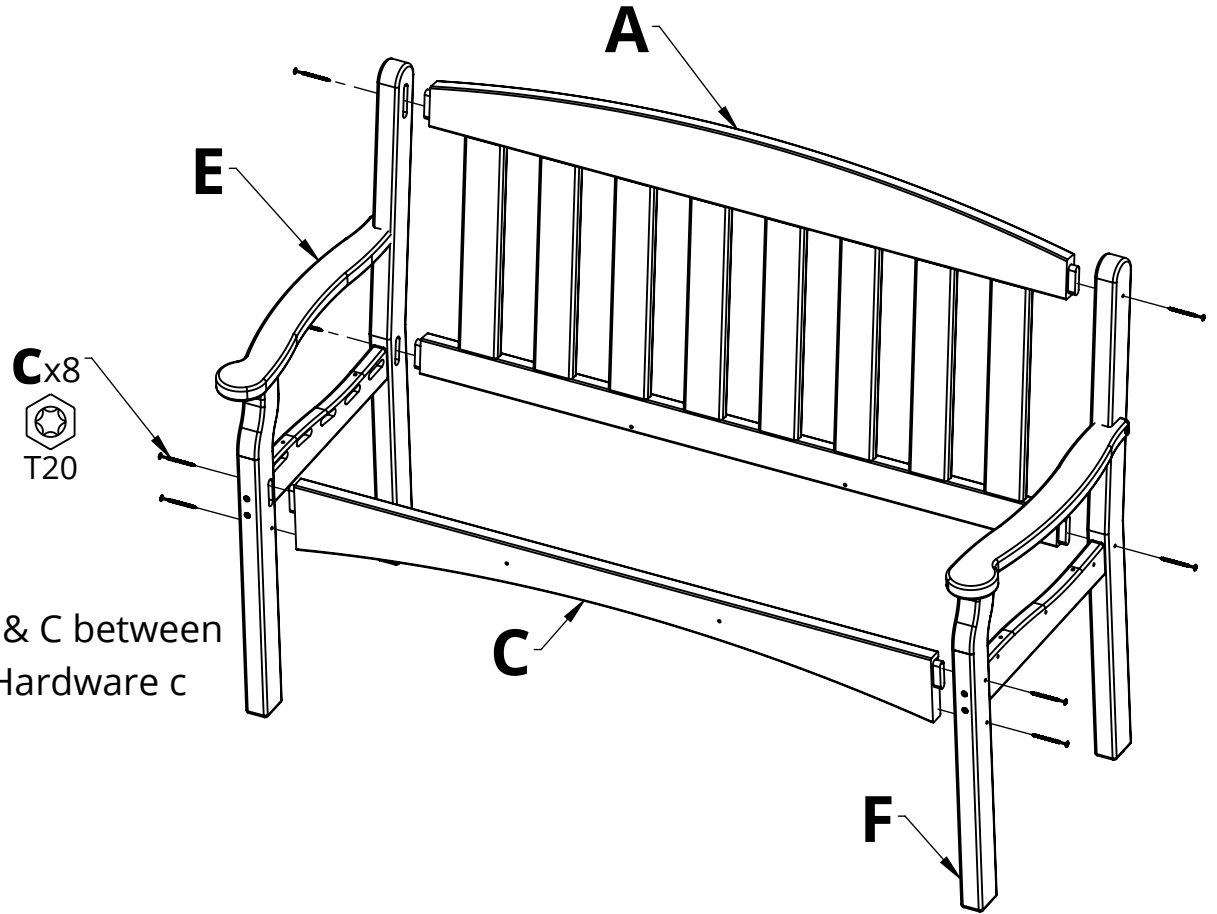


HARDWARE

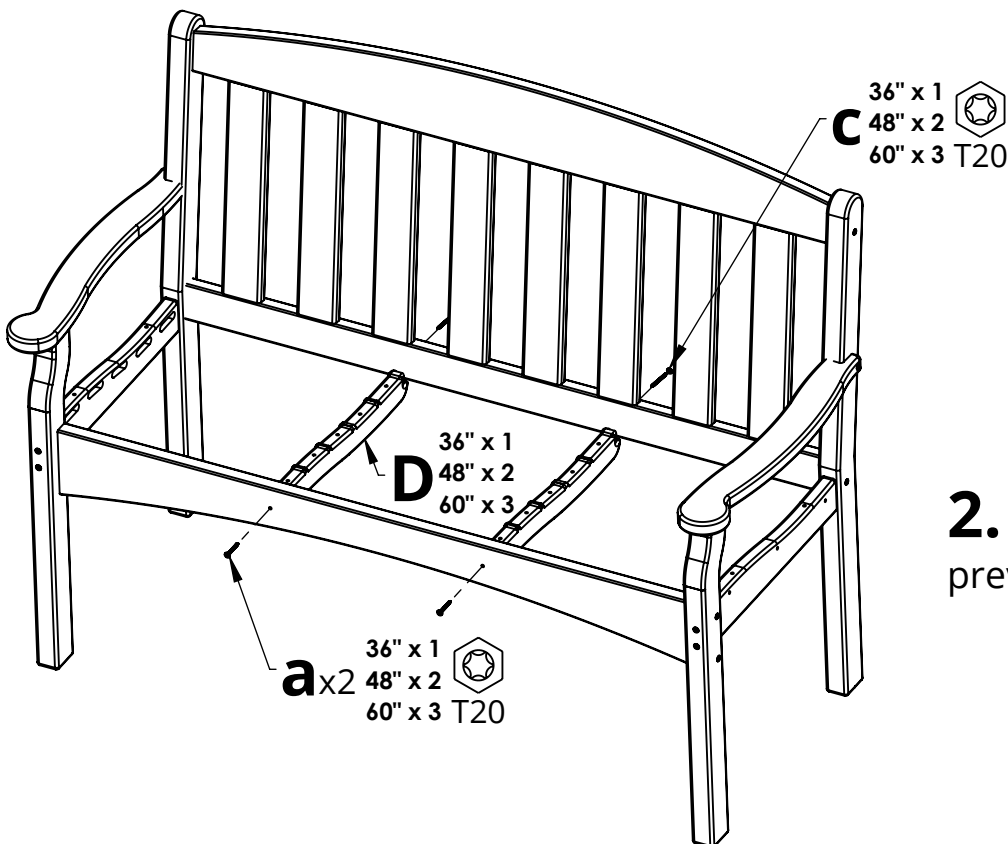
PART	DESCRIPTION	PART NO.	QTY 36"	QTY 48"	QTY 60"
a	#8 X 1-1/2" TORX SCREW	H-0000-S815	7	8	9
b	#8 X 2" TORX SCREW	H-0000-S82	5	10	15
c	#8 X 2-1/2" TORX SCREW	H-0000-S825	9	10	11
d	T20 & T25 TORX BIT	H-0000-CTD	1	1	1

Suggested Tools: Drill, Plastic Mallet

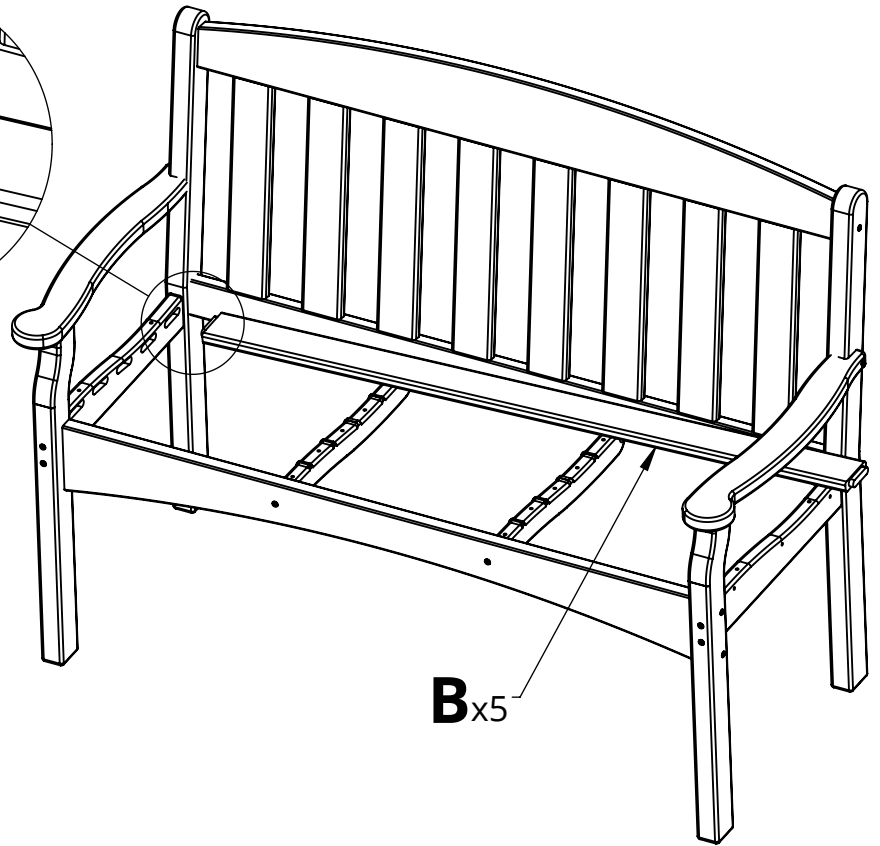
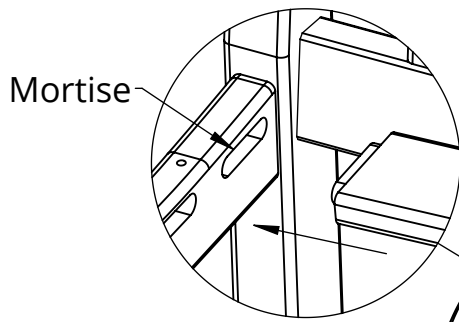
Please read entire instructions before beginning



1. Attach Parts A & C between Parts E & F using Hardware c

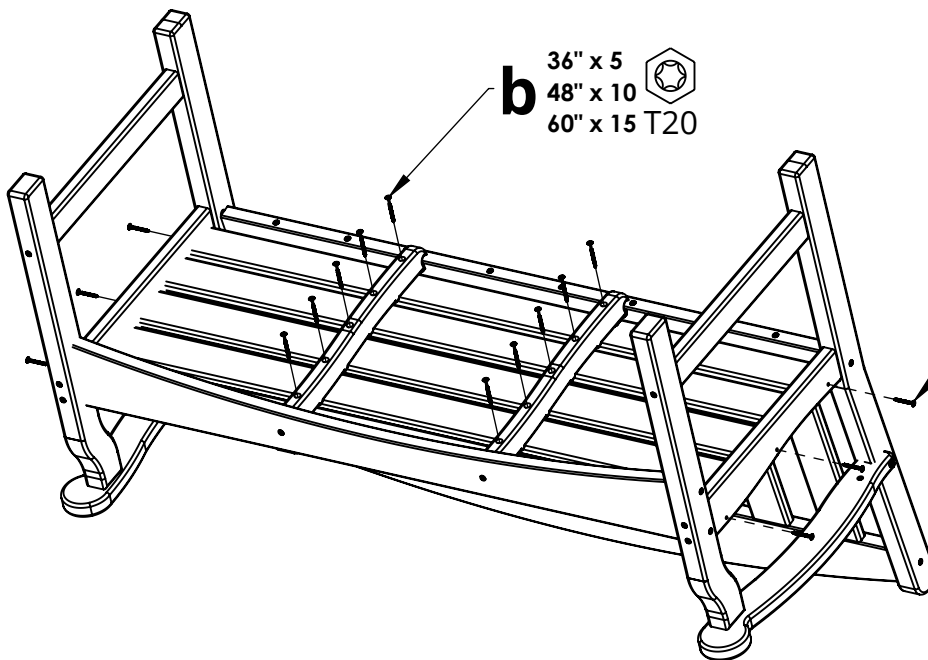


2. Connect Part(s) D to the previous assembly as shown



3. Slide one end of Parts B into the mortise as shown & flex it into the mortise on the other end

Bx5



4. Secure the assembly using Hardware a & b as shown

ax6
T20