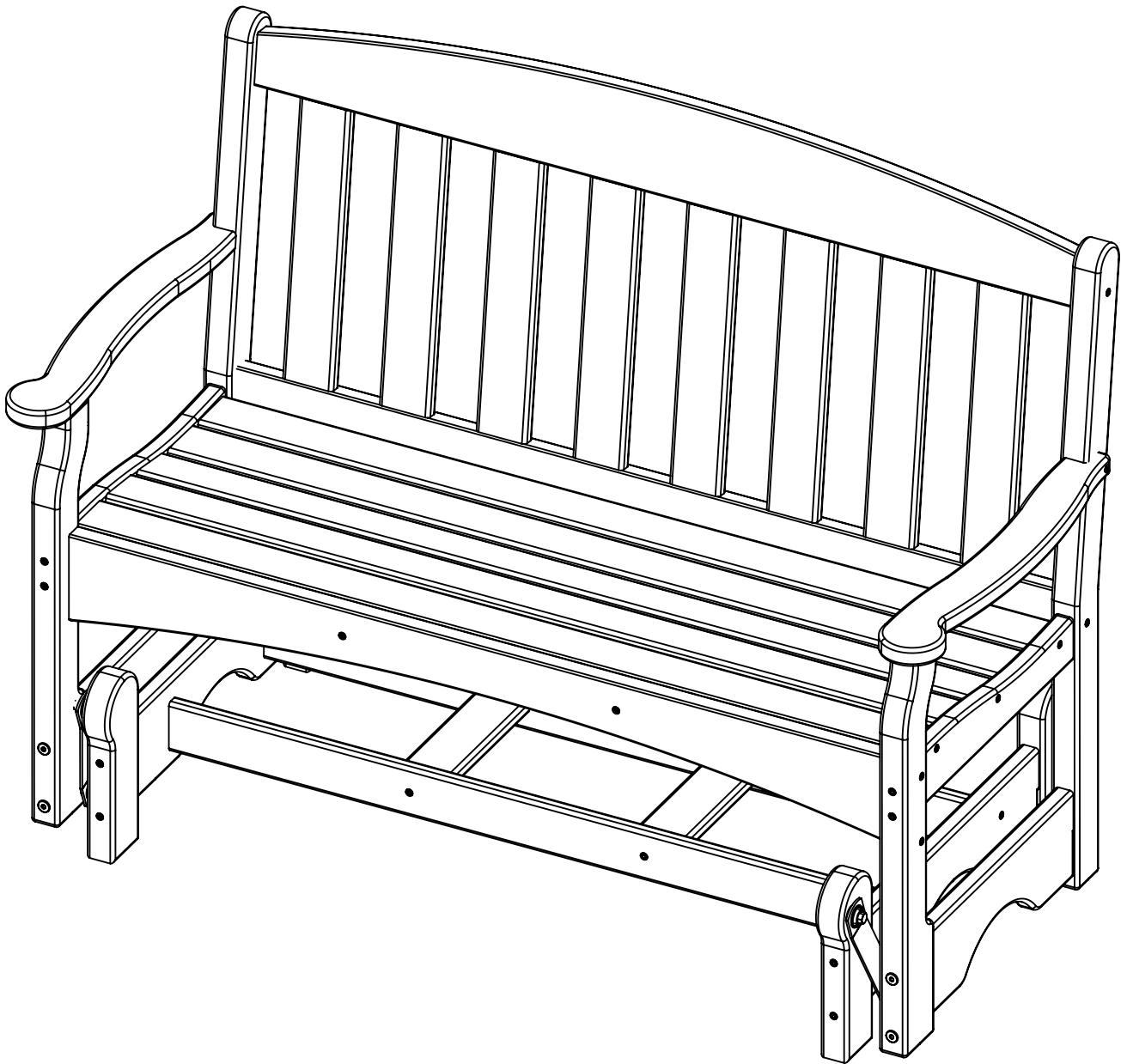


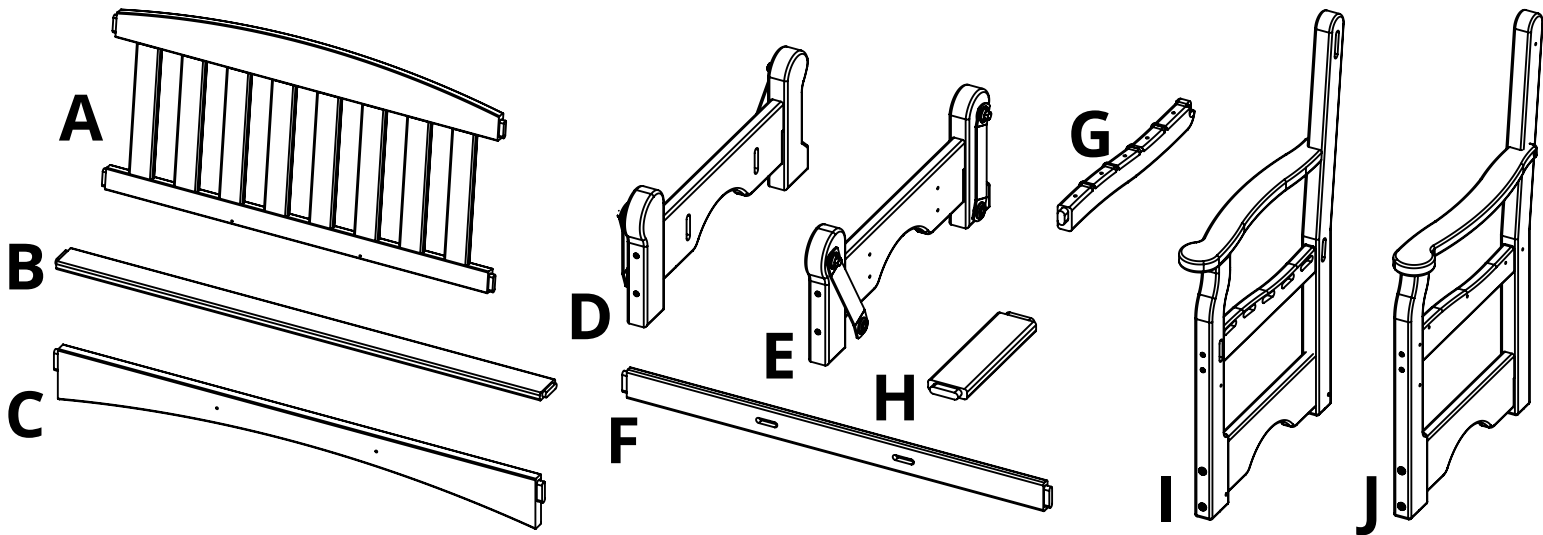
breezesta™

# SKYLINE GLIDING BENCH

SK-0401-36, SK-0401-48, SK-0401-60

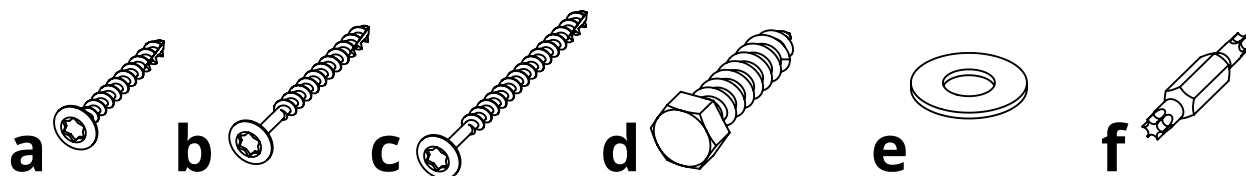


REV01-2/19



## PARTS

PART	DESCRIPTION	PART NO.	QTY 36"	QTY 48"	QTY 60"
A1	BACK ASSEMBLY	SA-00170	1	-	-
A2	BACK ASSEMBLY	SA-00171	-	1	-
A3	BACK ASSEMBLY	SA-00173	-	-	1
B1	36IN SEAT SLAT	SS-33.562	5	-	-
B2	48IN SEAT SLAT	SS-45.562	-	5	-
B3	60IN SEAT SLAT	SS-57.562	-	-	5
C1	FRONT RAIL 36"	PRT-00318	1	-	-
C2	FRONT RAIL 48"	SA-00197	-	1	-
C3	FRONT RAIL 60"	SA-00198	-	-	1
D	LEFT BASE ASSEMBLY	SA-00175	1	1	1
E	RIGHT BASE ASSEMBLY	SA-00176	1	1	1
F1	SLAT RAIL 36"	PRT-00333	2	2	2
F2	SLAT RAIL 48"	PRT-00335	2	2	2
F3	SLAT RAIL 60"	PRT-00336	2	2	2
G	SEAT SUPPORT	PRT-00294	1	2	3
H	SPREADER	PRT-00334	1	2	3
I	LEFT SIDE ASSEMBLY	SA-00177	1	1	1
J	RIGHT SIDE ASSEMBLY	SA-00178	1	1	1

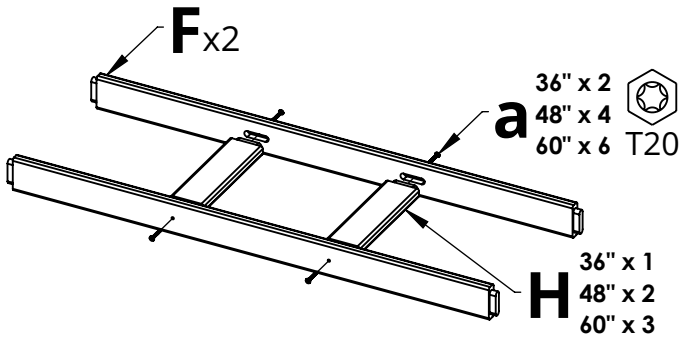


## HARDWARE

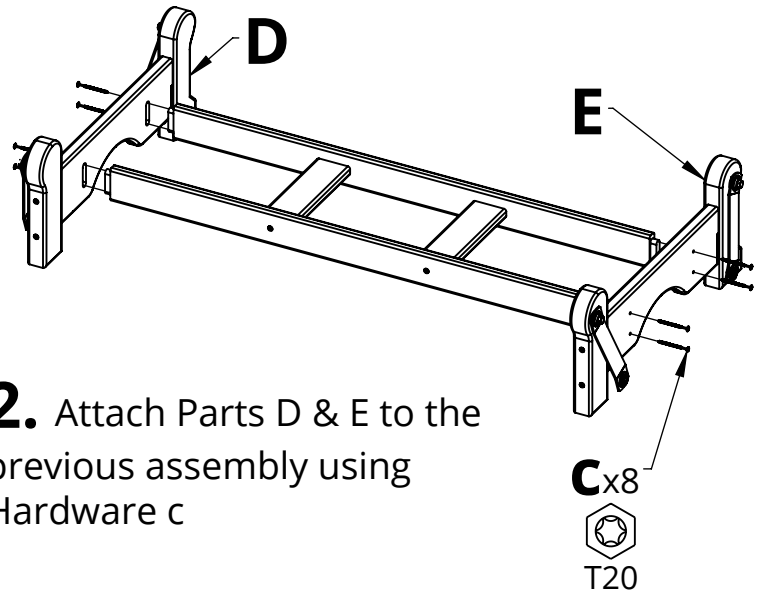
PART	DESCRIPTION	PART NO.	QTY 36"	QTY 48"	QTY 60"
a	#8 X 1-1/2" TORX SCREW	H-0000-S815	11	12	13
b	#8 X 2" TORX SCREW	H-0000-S82	5	10	15
c	#8 X 2-1/2" TORX SCREW	H-0000-S825	17	18	19
d	3/8"X 1-1/2" STAINLESS LAG SCREW	H-0000-LS3815	4	4	4
e	5/16" STAINLESS WASHER	H-0000-W516	4	4	4
f	T20 & T25 TORX BIT	H-0000-CTD	1	1	1

**Suggested Tools:** Drill, Plastic Mallet, 1/2" Socket Wrench

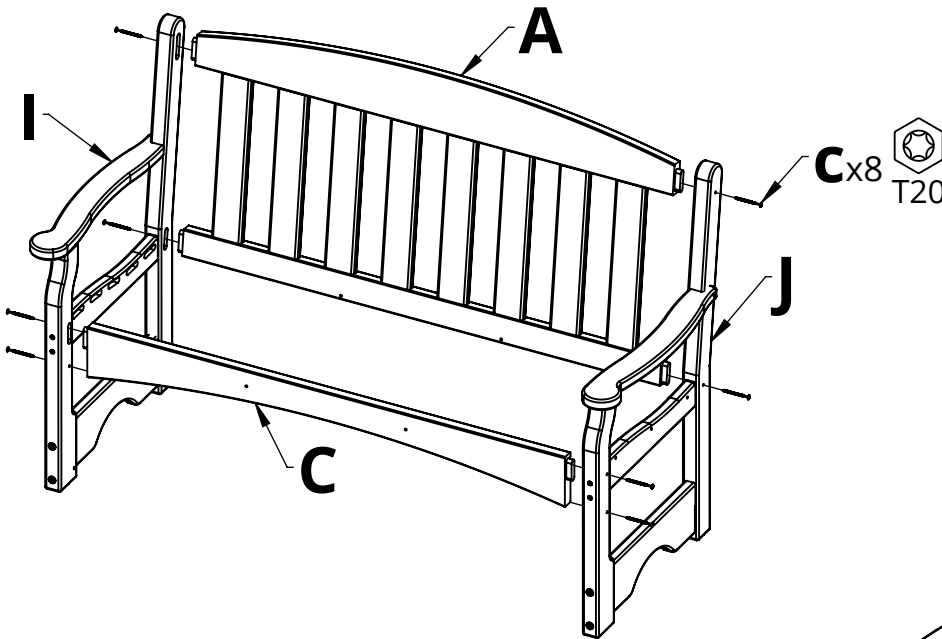
# Please read entire instructions before beginning



**1.** Attach Parts F to Part(s) H using Hardware a

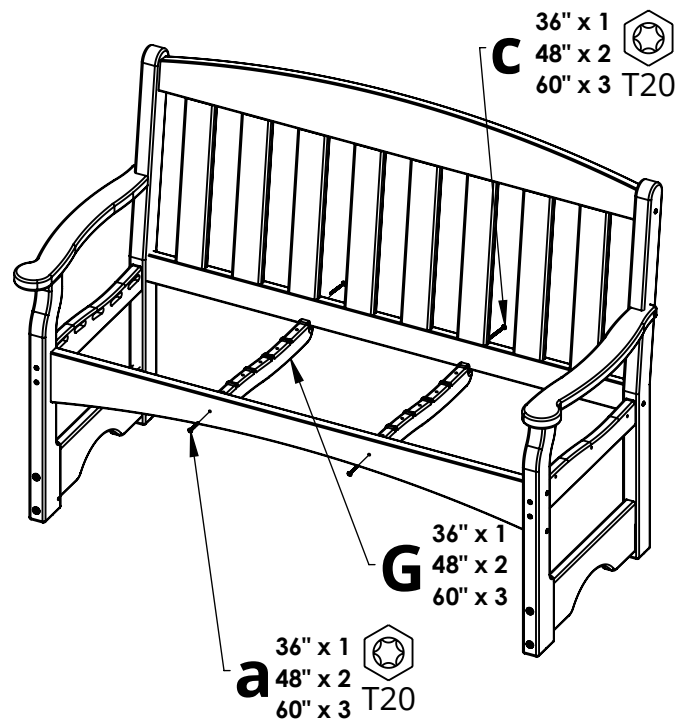


**2.** Attach Parts D & E to the previous assembly using Hardware c

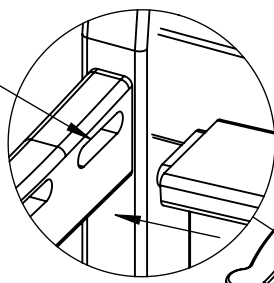


**3.** Assemble Parts I & J to Parts A & C using Hardware c

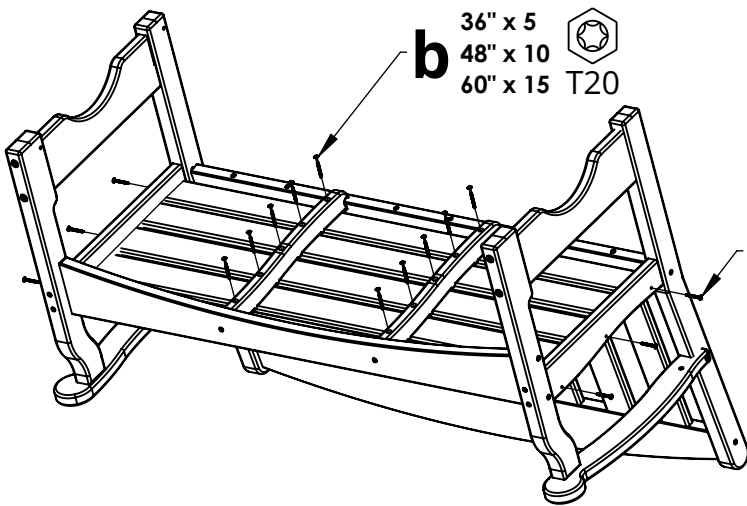
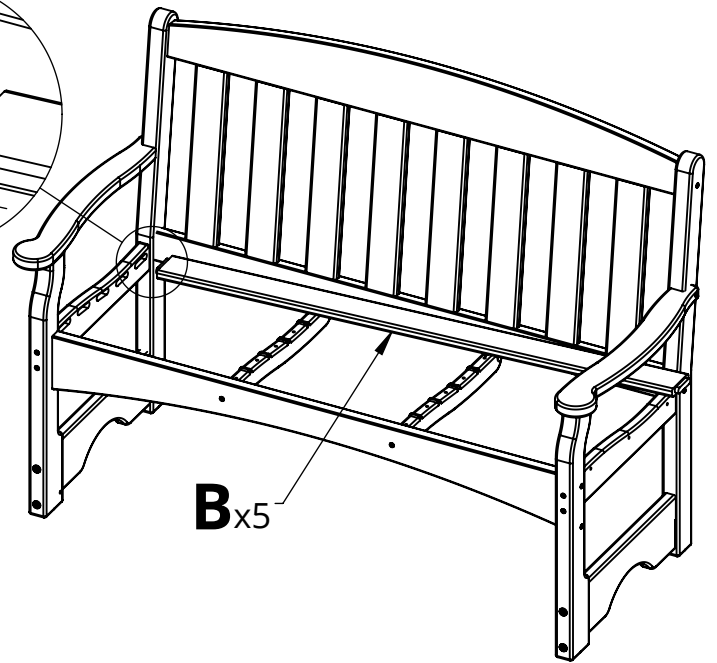
**4.** Connect Part(s) G to the previous assembly as shown



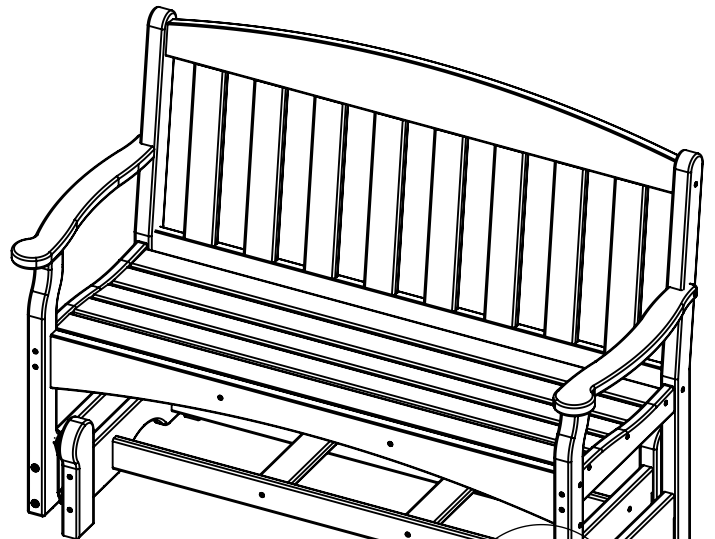
Mortise



**5.** Slide one end of Parts B into the mortise as shown & flex it into the mortise on the other end



**6.** Secure the assembly by connection Hardware a & b as shown



**7.** Attach the base assembly to in four places using the hardware shown using a 1/2" socket wrench

