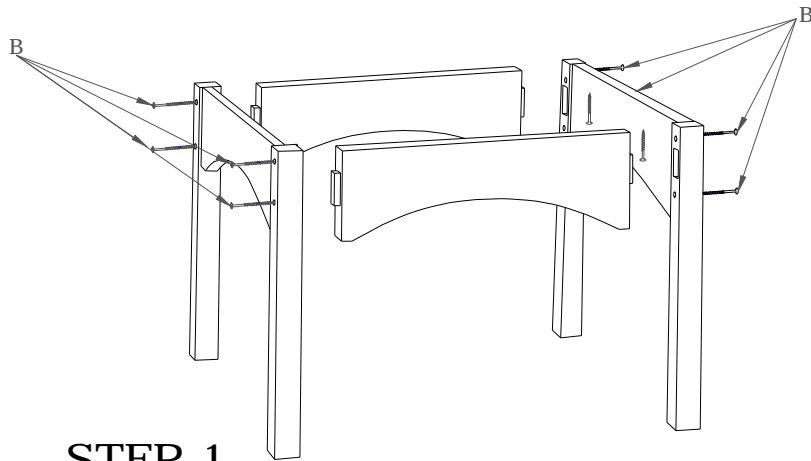


# Piedmont End Table

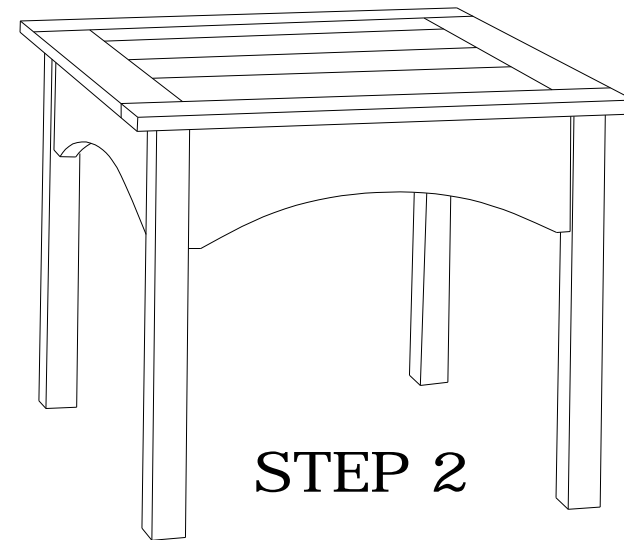
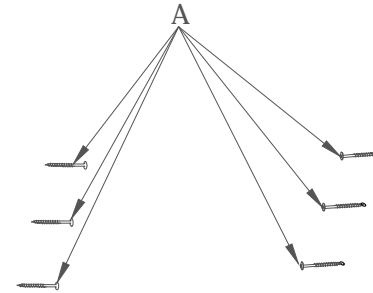
PT-0504

**BREEZESTA** tm  
Recycled Poly Furniture



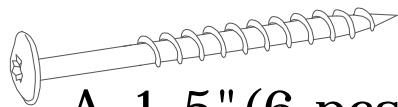
**STEP 1**

Place the tenon in the Spreaders into the pockets on the side assemblies and attach using screws "B" as shown above.

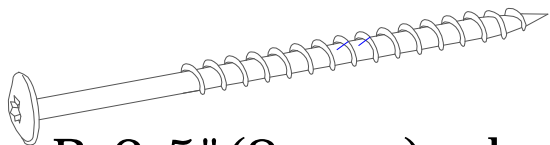


**STEP 2**

Place the table top on the table base and attach using Screws "A" from the underside as shown.



**A-1.5" (6 pcs.) colored**



**B-2.5" (8 pcs.) colored**

LIST OF PARTS  
Side Assemblies (2)  
Spreaders (2)  
Top Assembly (1)  
Colored Screws "A" (6)  
Colored Screws "B" (8)  
Insert Bit Tool (1)