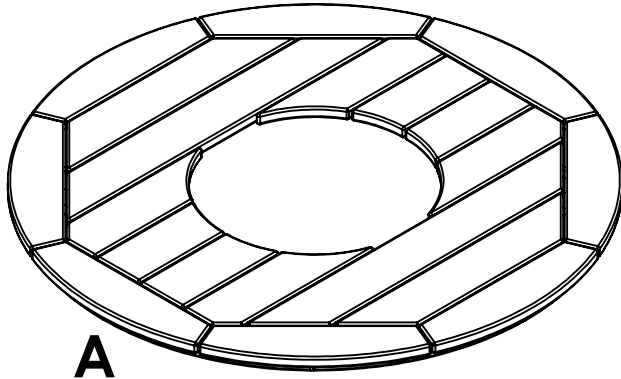
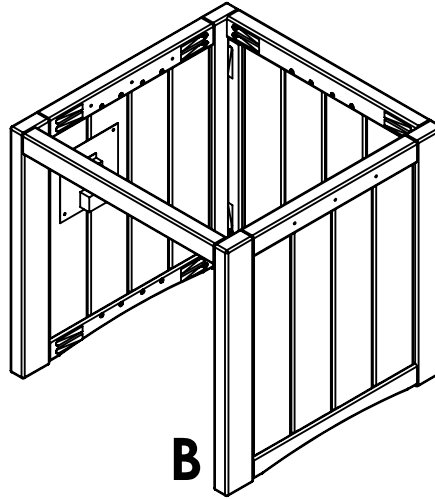


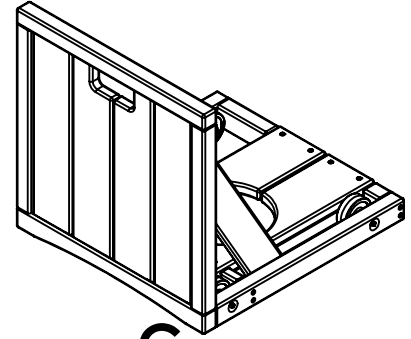
Please read entire instruction before beginning



A

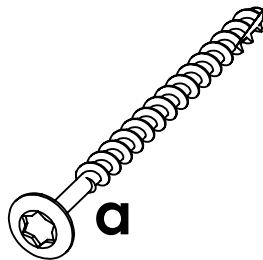


B

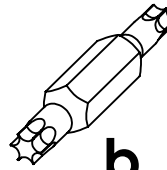


C

PARTS			
PART	DESCRIPTION	PART NO.	QTY.
A	48" ROUND FIRE TABLE TOP	prt-00719	1
B	FIRE TABLE BASE	prt-00720	1
C	FIRE TABLE BASE PULLOUT	SA-00357	1



a



b

HARDWARE PACK			
ITEM NO.	DESCRIPTION	PART NUMBER	QTY.
a	#8 x 2-1/2" TORX SCREW	H-0000-S825	6
b	T20 & T25 TORX BIT	H-0000-CTD	1

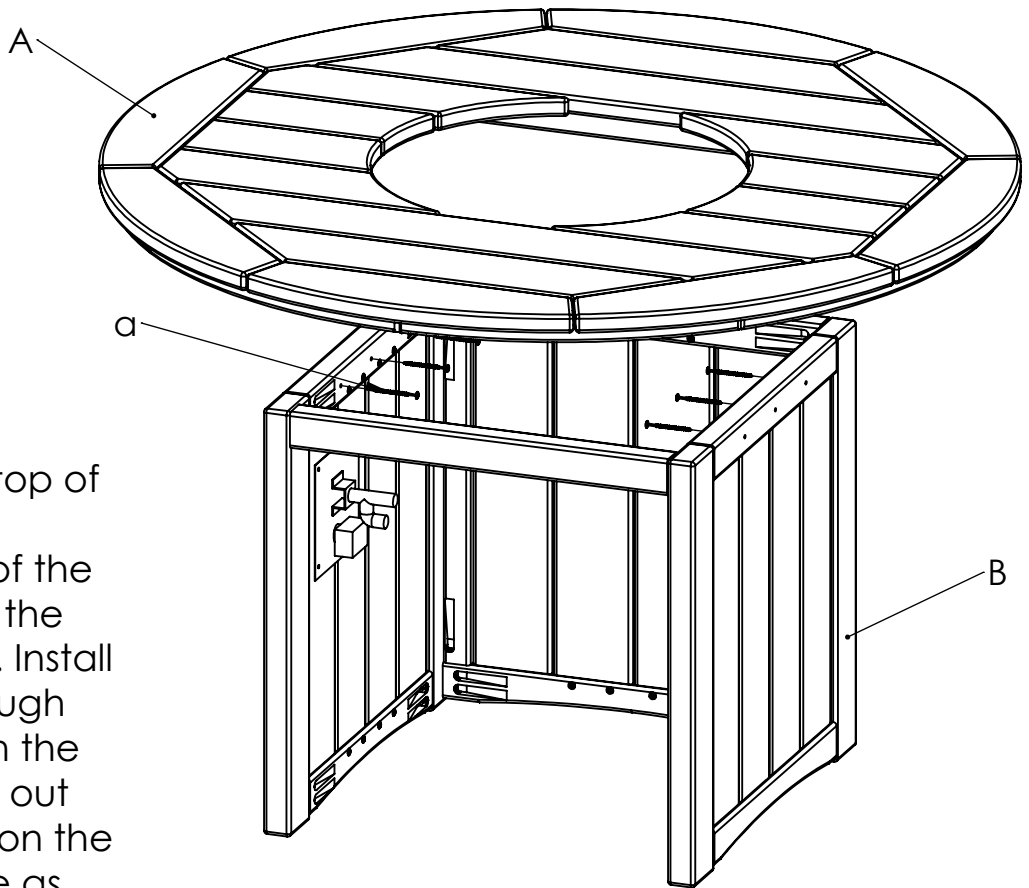
H-0000-20BK*
(20" Burner Kit)

AC-9907*
(Table Cover)

AC-9906*
(Glass Guard)

***These items are shipped loose with the Fire Table. Please follow the manufacturer's instructions for their installation.**

Suggested Tools: Drill, Plastic Mallet



Place Table Top **A** on top of the Base **B**. The square frame on the bottom of the table top will surround the top frame of the base. Install (3) of hardware **a** through the pre-drilled holes on the inside of the base and out into the square frame on the table top on each side as shown.

Once these parts are fastened, follow the manufacturers instructions to install the burner and glass guard. The glass guard must remain in place when the burner is lit. The cart (item C) slides under the base on the open side.

CAUTION: Burner and glass guard will be hot when ignited.

