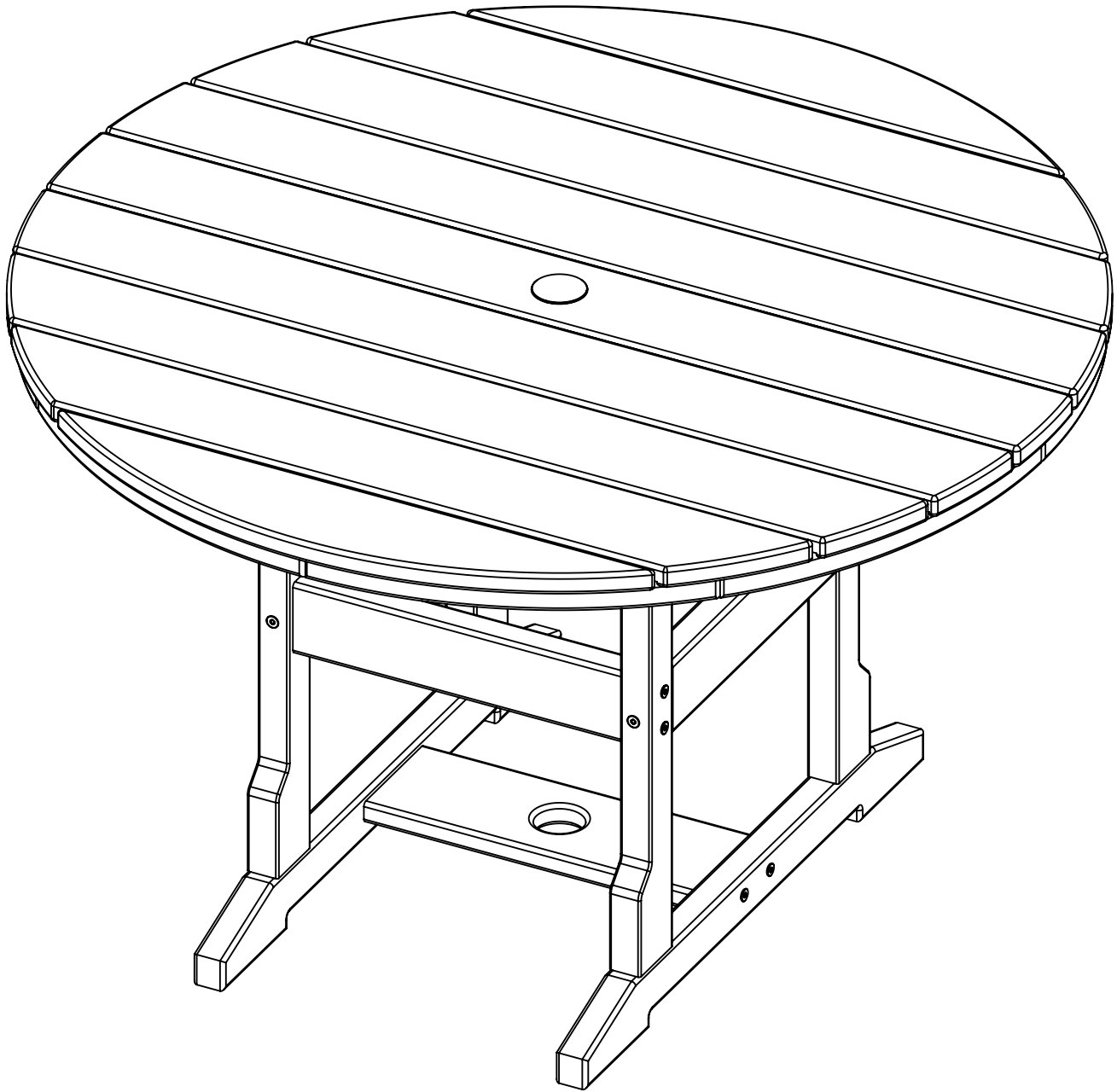


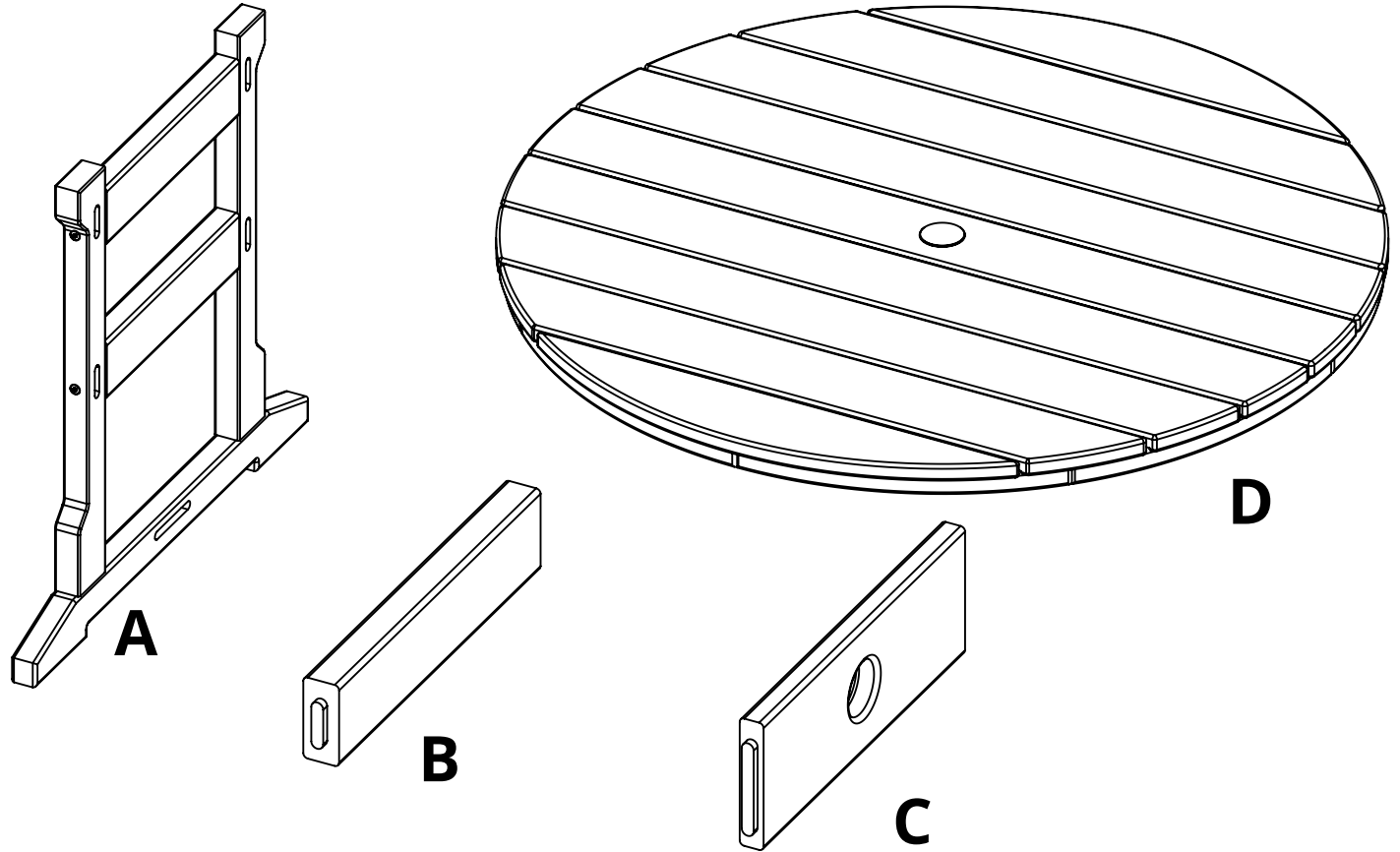
breezesta™

48" ROUND DINING TABLE

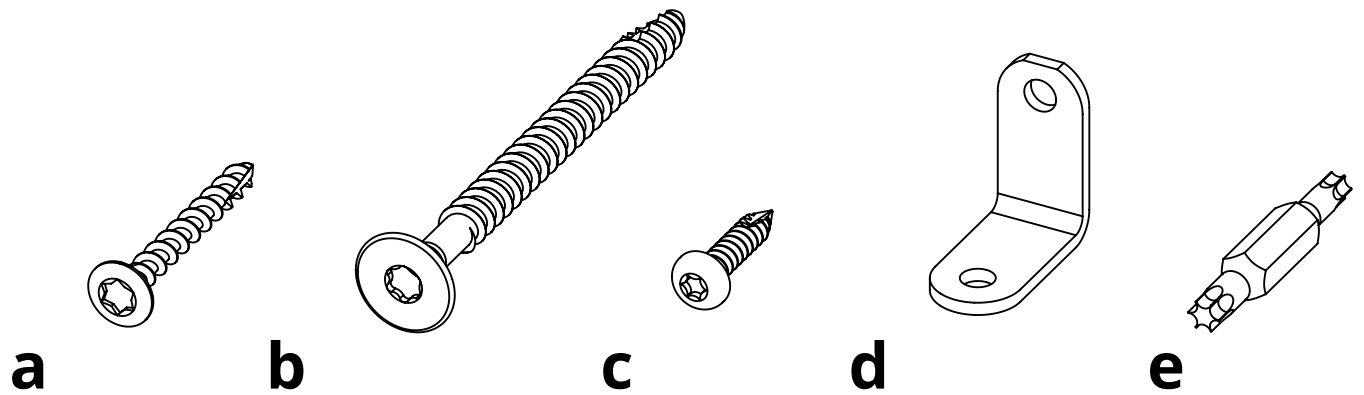
DH-0704



REV00-1/19



| PARTS | | | |
|--------------|------------------------------|-----------------|------------|
| PART | DESCRIPTION | PART NO. | QTY |
| A | SIDE ASSEMBLY | SA-00318 | 2 |
| B | SPREADER | PRT-00634 | 4 |
| C | BASE SPREADER | PRT-00635 | 1 |
| D | TABLE TOP ASSEMBLY 48" ROUND | SA-00319 | 1 |

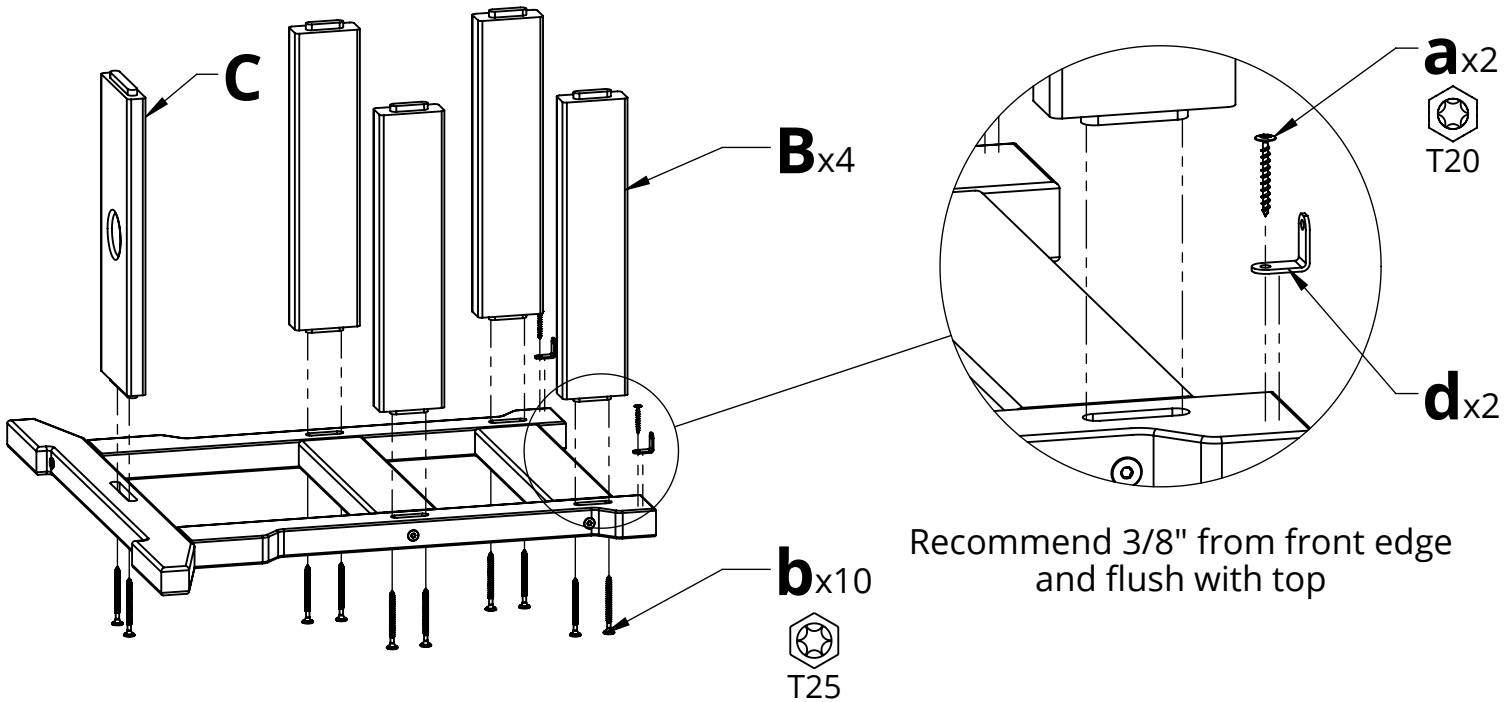


| HARDWARE | | | |
|-----------------|---------------------------------|-----------------|------------|
| PART | DESCRIPTION | PART NO. | QTY |
| a | #8 X 1-1/2" TORX SCREW | H-0000-S815 | 4 |
| b | 1/4-10 X 3" LAG | H-0000-S103 | 20 |
| c | #8 X 3/4" ROUND HEAD TORX SCREW | H-0000-RHS834T | 4 |
| d | L BRACKET FOR TABLE TOPS | H-0000-MLB | 4 |
| e | T20 & T25 TORX BIT | H-0000-CTD | 1 |

Suggested Tools: Drill, Plastic Mallet

Please read entire instructions before beginning

1. Attach Part B and Part C to Part A using Hardware b, attach Hardware d to Part A using Hardware a



2. Place second Part A on assembled piece from Step 1; Repeat Step 1

3. Place Part A onto Part D, attach using Hardware c through Hardware d

