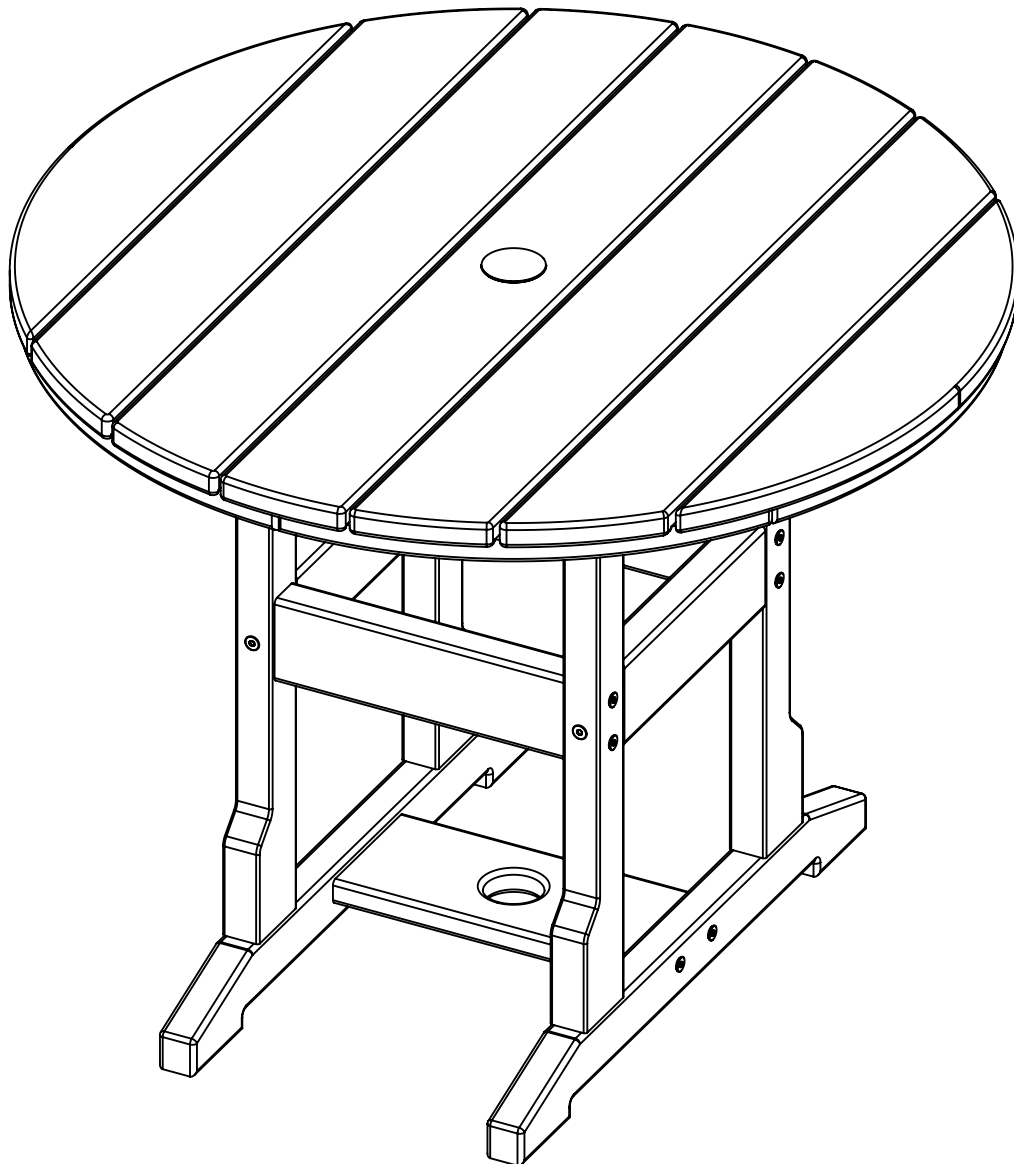


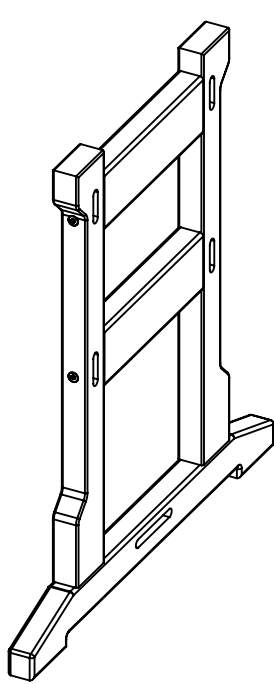
breezesta™

36" ROUND DINING TABLE

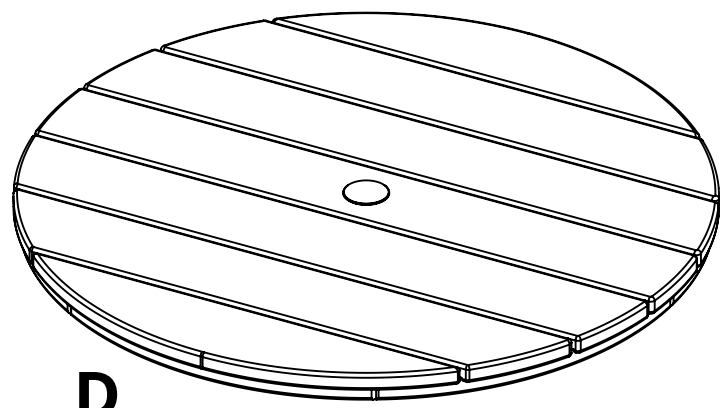
DH-0703



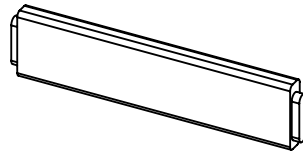
REV00-1/19



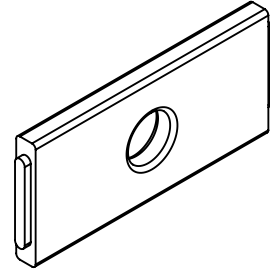
A



D



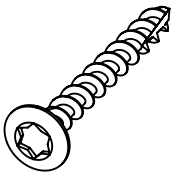
B



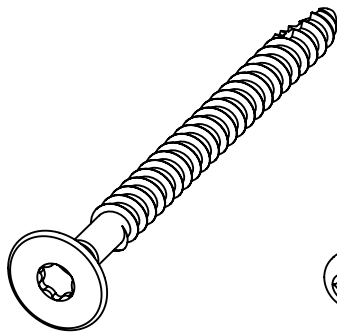
C

PARTS

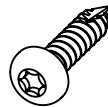
PART	DESCRIPTION	PART NO.	QTY
A	SIDE ASSEMBLY	SA-00309	2
B	SPREADER	PRT-00620	4
C	BASE SPREADER	PRT-00621	1
D	TABLE TOP ASSEMBLY 36" ROUND	SA-00314	1



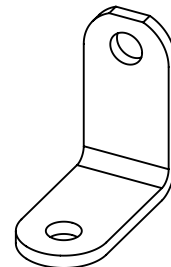
a



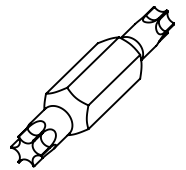
b



c



d



e

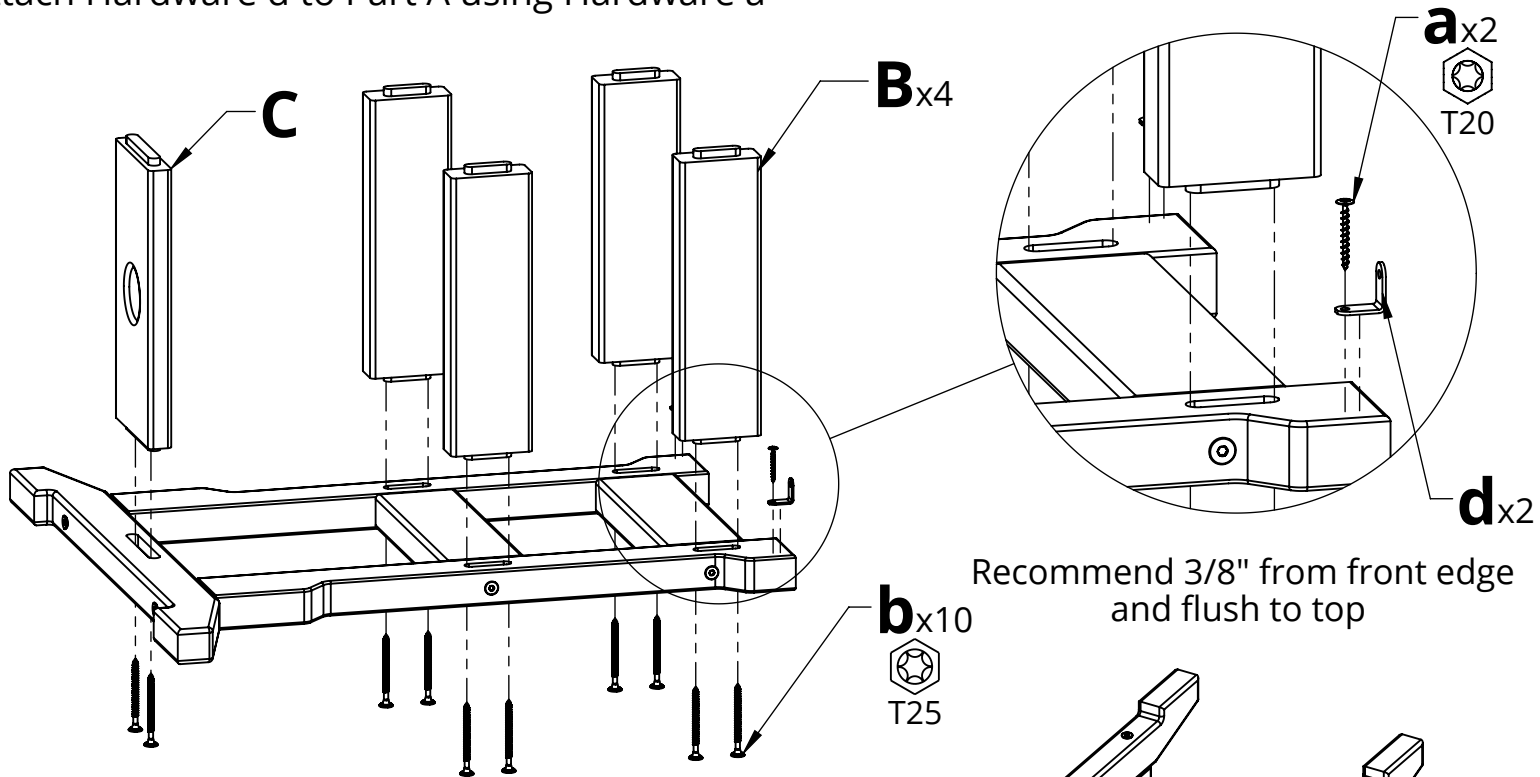
HARDWARE

PART	DESCRIPTION	PART NO.	QTY
a	#8 X 1-1/2" TORX SCREW	H-0000-S815	4
b	1/4-10 x 3" LAG	H-0000-S103	20
c	#8 x 3/4" ROUND HEAD TORX SCREW	H-0000-RHS834T	4
d	L BRACKET FOR TABLE TOPS	H-0000-MLB	4
e	T20 & T25 TORX BIT	H-0000-CTD	1

Suggested Tools: Drill, Plastic Mallet

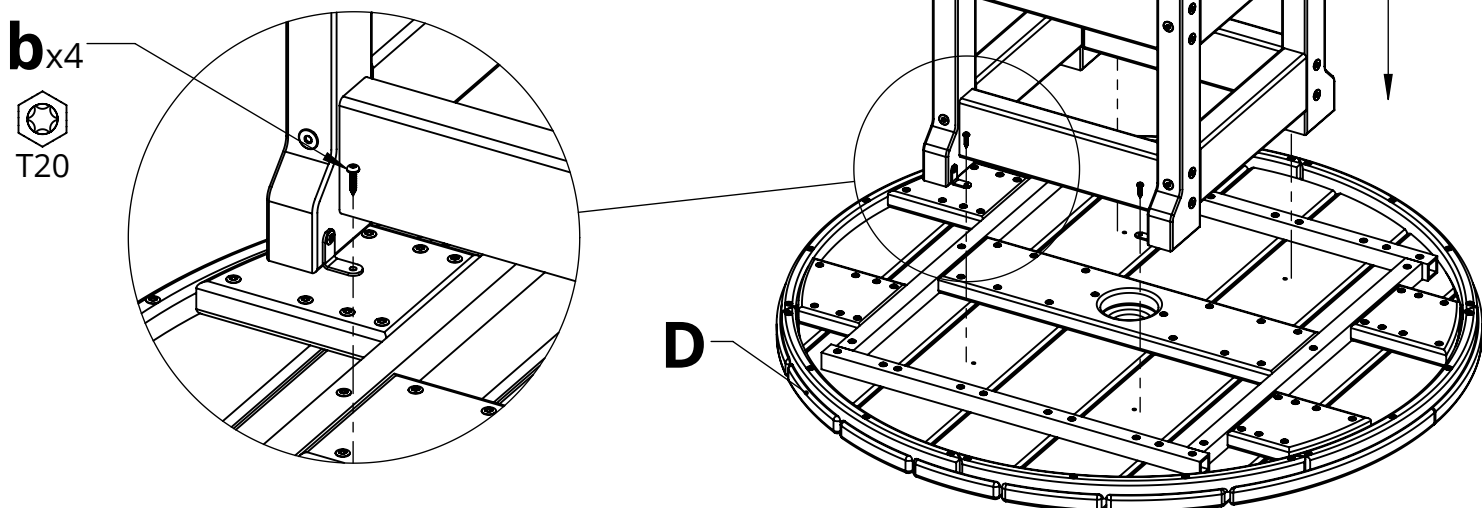
Please read entire instructions before beginning

1. Attach Part B and Part C to Part A using Hardware b, attach Hardware d to Part A using Hardware a



2. Place second Part A on assembled piece from Step 1; Repeat Step 1

3. Place Part A onto Part D, attach using Hardware b through Hardware d



May be easier if assembled upside down