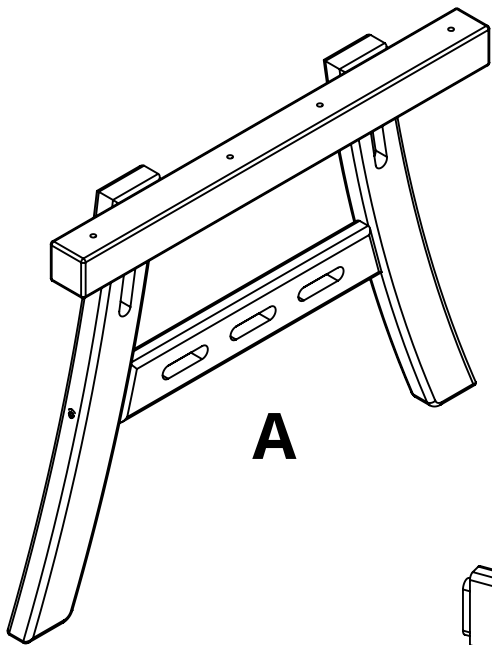


breezesta™

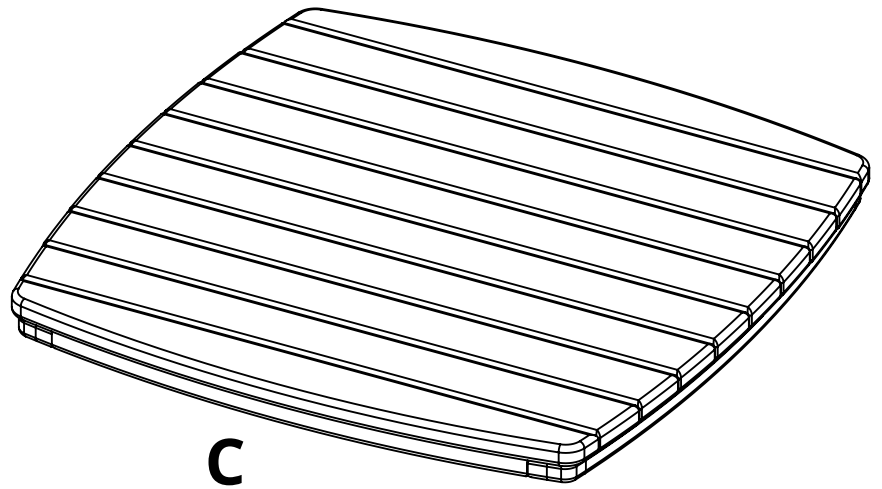
CONTEMPORARY ACCENT TABLE
CT-2101



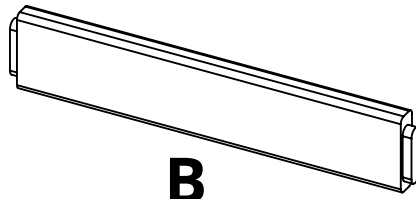
REV01-2/19



A



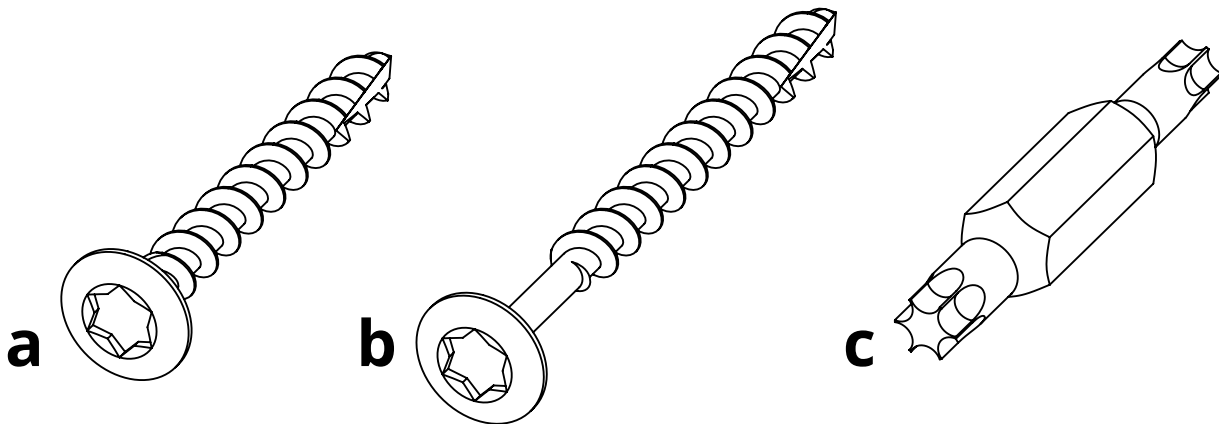
C



B

PARTS

PART	DESCRIPTION	PART NO.	QTY
A	SIDE ASSEMBLY	SA-00249	2
B	BB FOOT REST SPREADER	SS-13.56	5
C	TABLE TOP ASSEMBLY	SA-00250	1



a

b

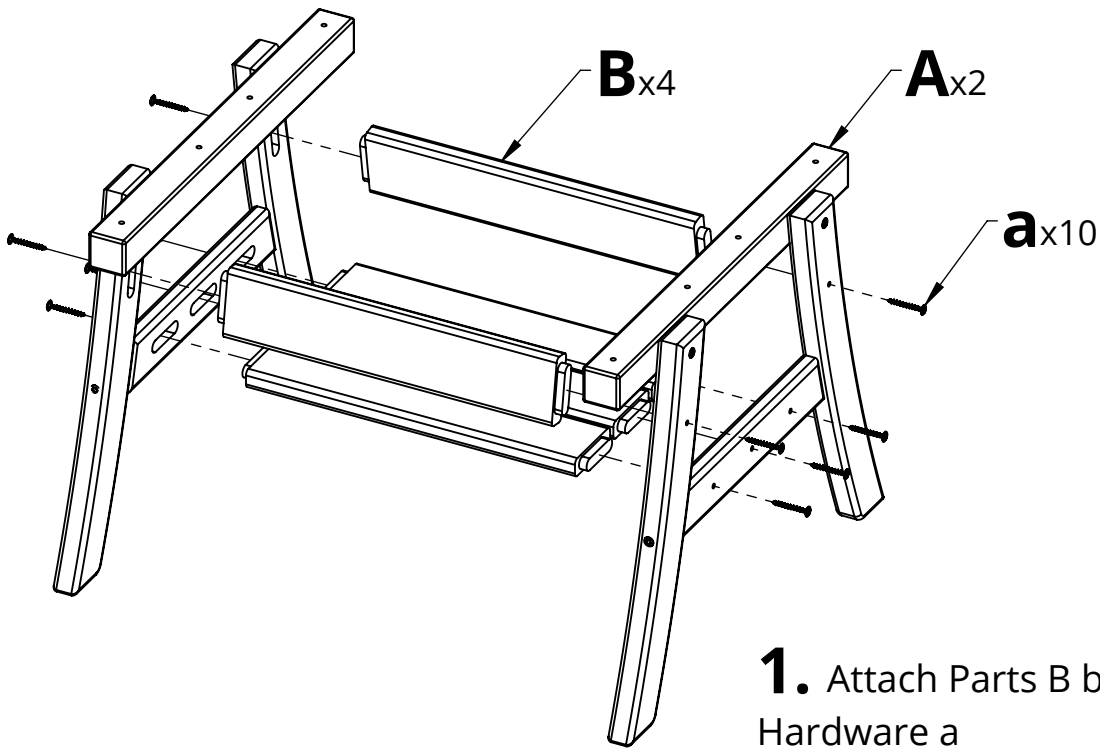
c

HARDWARE

PART	DESCRIPTION	PART NO.	QTY
a	#8 X 1-1/2" TORX SCREW	H-0000-S815	10
b	#8 X 2" TORX SCREW	H-0000-S82	4
c	T20 & T25 TORX BIT	H-0000-CTD	1

Suggested Tools: Drill, Plastic Mallet

Please read entire instructions before beginning



2. Connect Part C to the previous assembly using Hardware b

