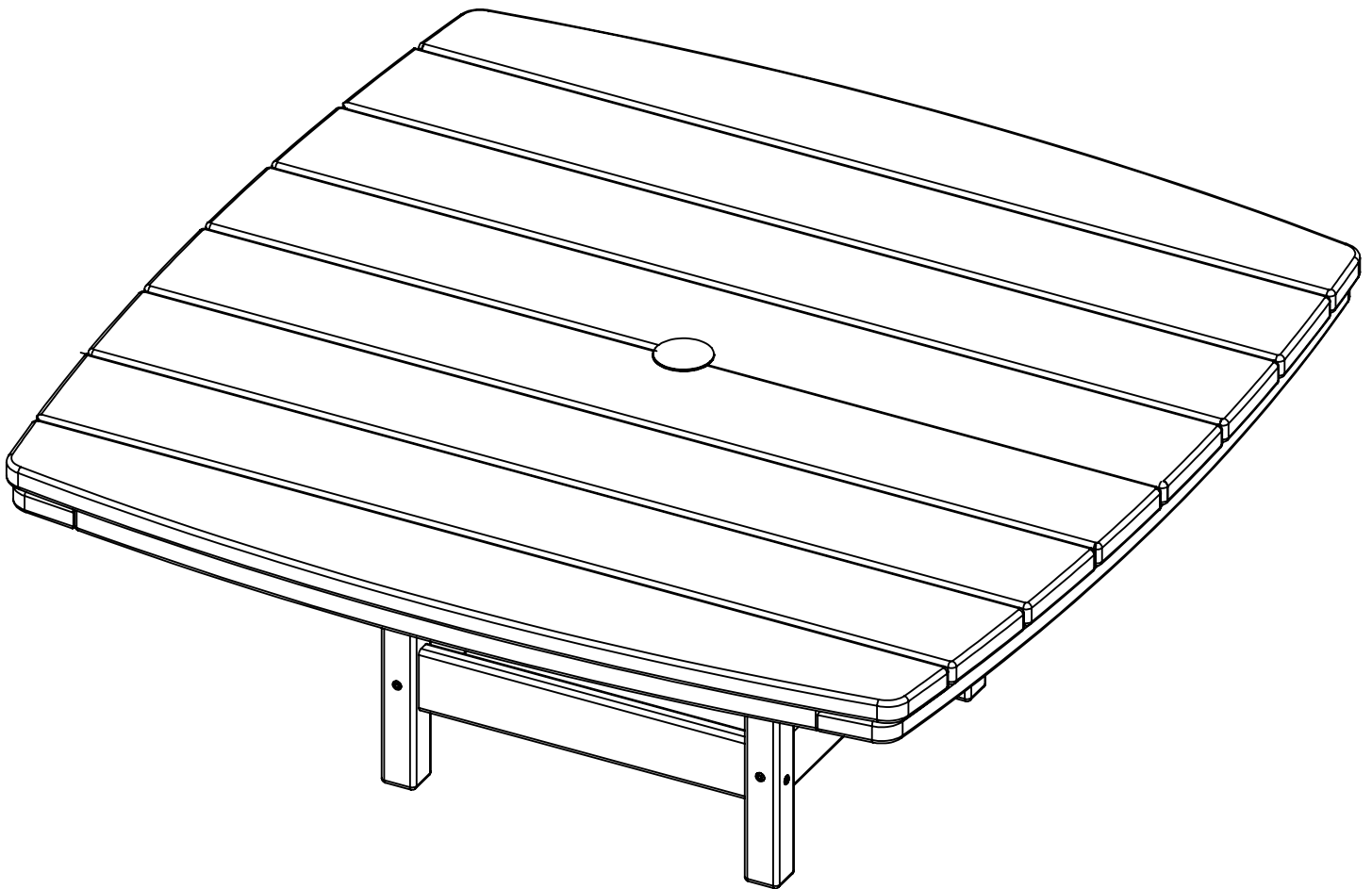
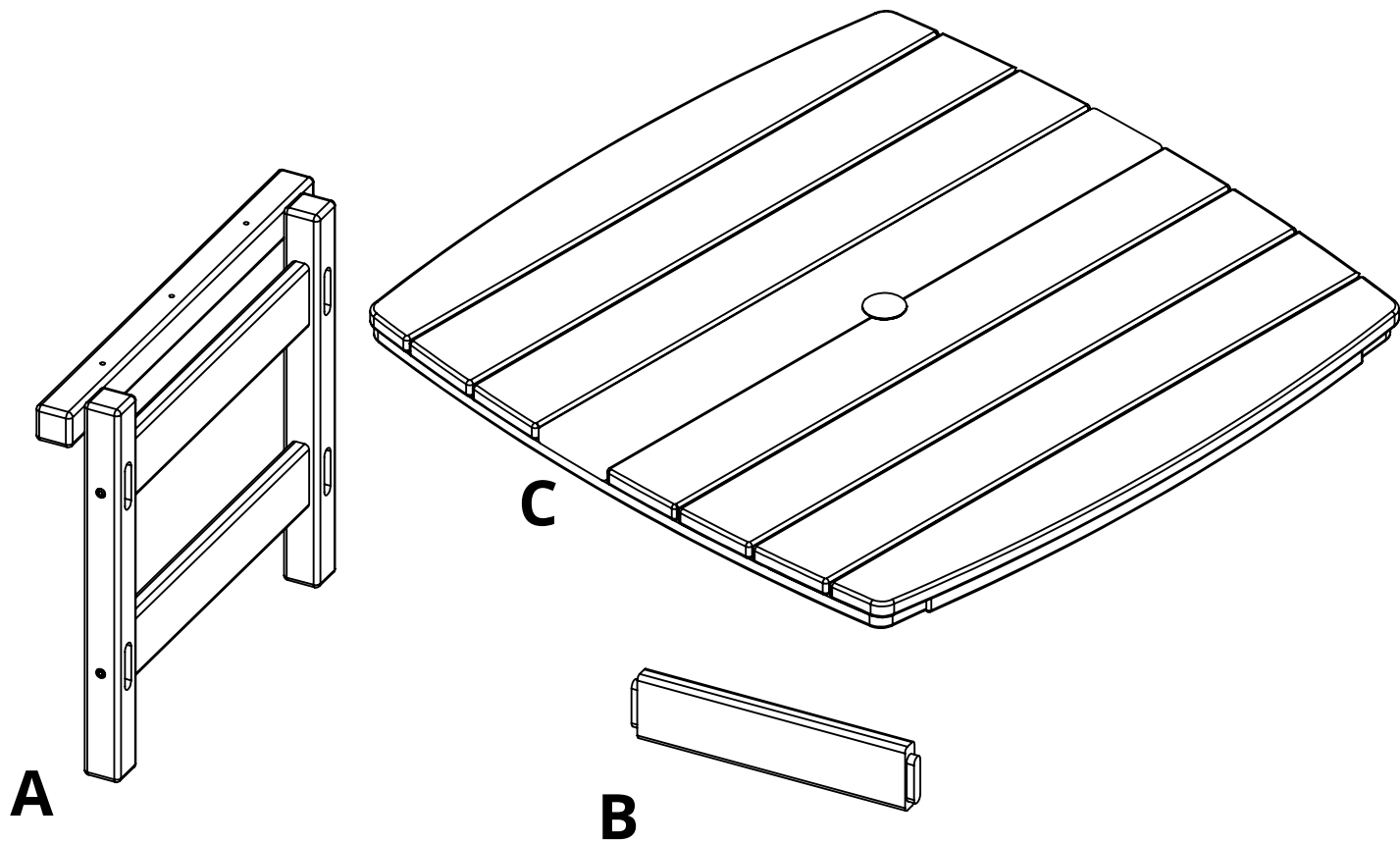


breezesta™

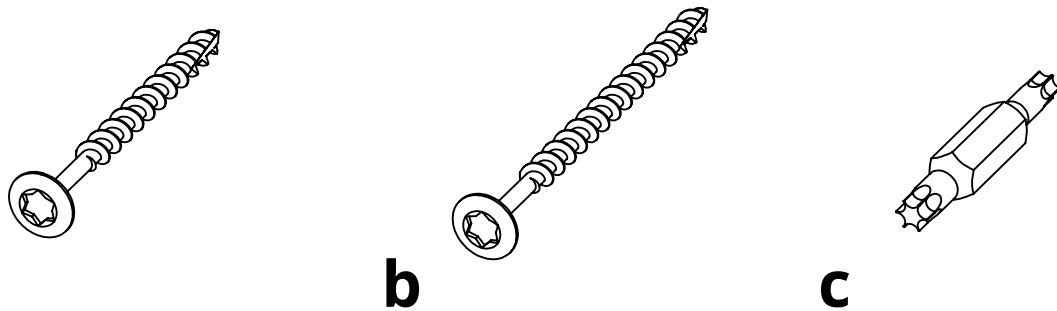
42"x 42" CONVERSATION TABLE
CT-1107



REV01-7/19



PARTS			
PART	DESCRIPTION	PART NO.	QTY
A	SIDE ASSEMBLY	SA-00306	2
B	STOOL SEAT SLAT	SS-14.375	4
C	CONVERSATION TABLE TOP ASSEMBLY 42"x42"	SA-00337	1

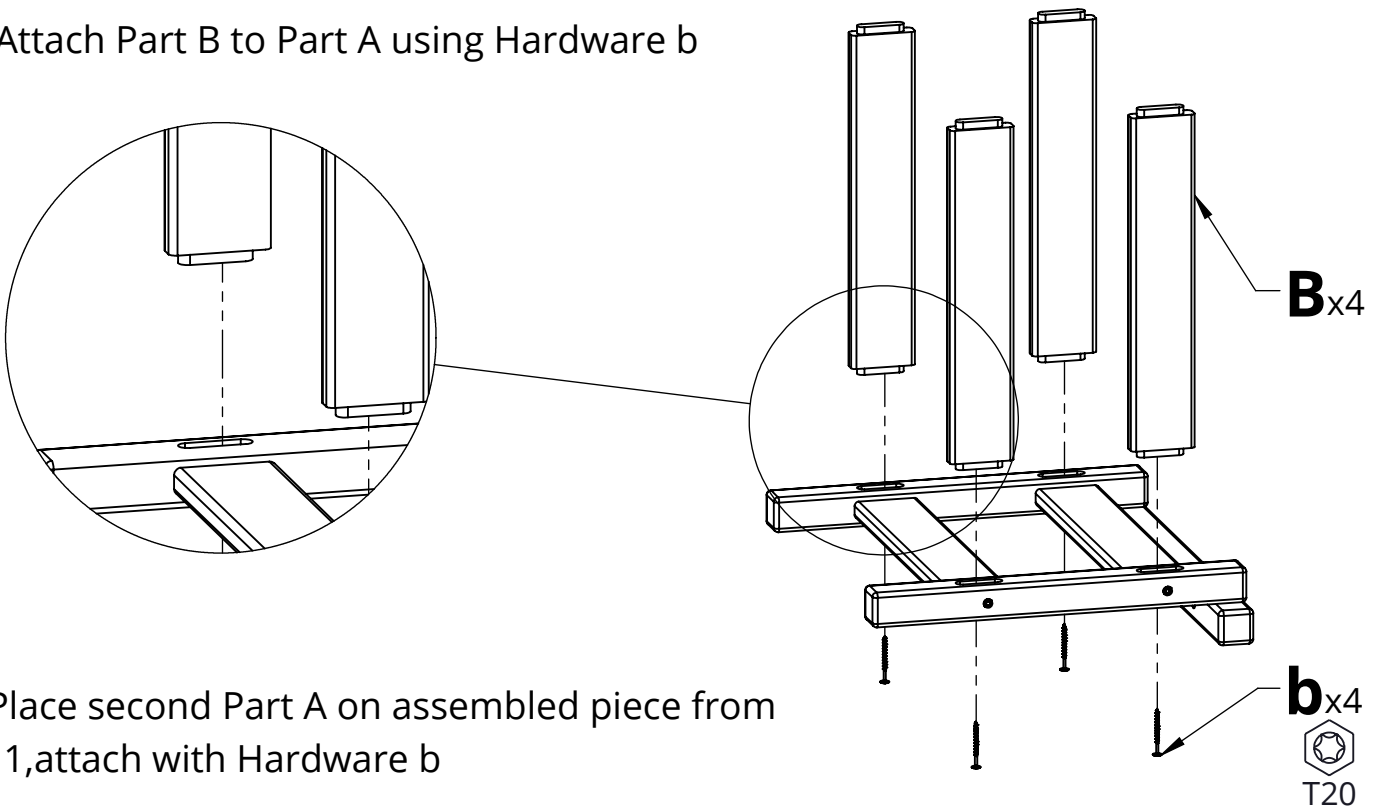


HARDWARE			
PART	DESCRIPTION	PART NO.	QTY
a	#8 X 2" TORX SCREW	H-0000-S82	6
b	#8 X 2-1/2" TORX SCREW	H-0000-S825	8
c	T20 & T25 TORX BIT	H-0000-CTD	1

Suggested Tools: Drill, Plastic Mallet

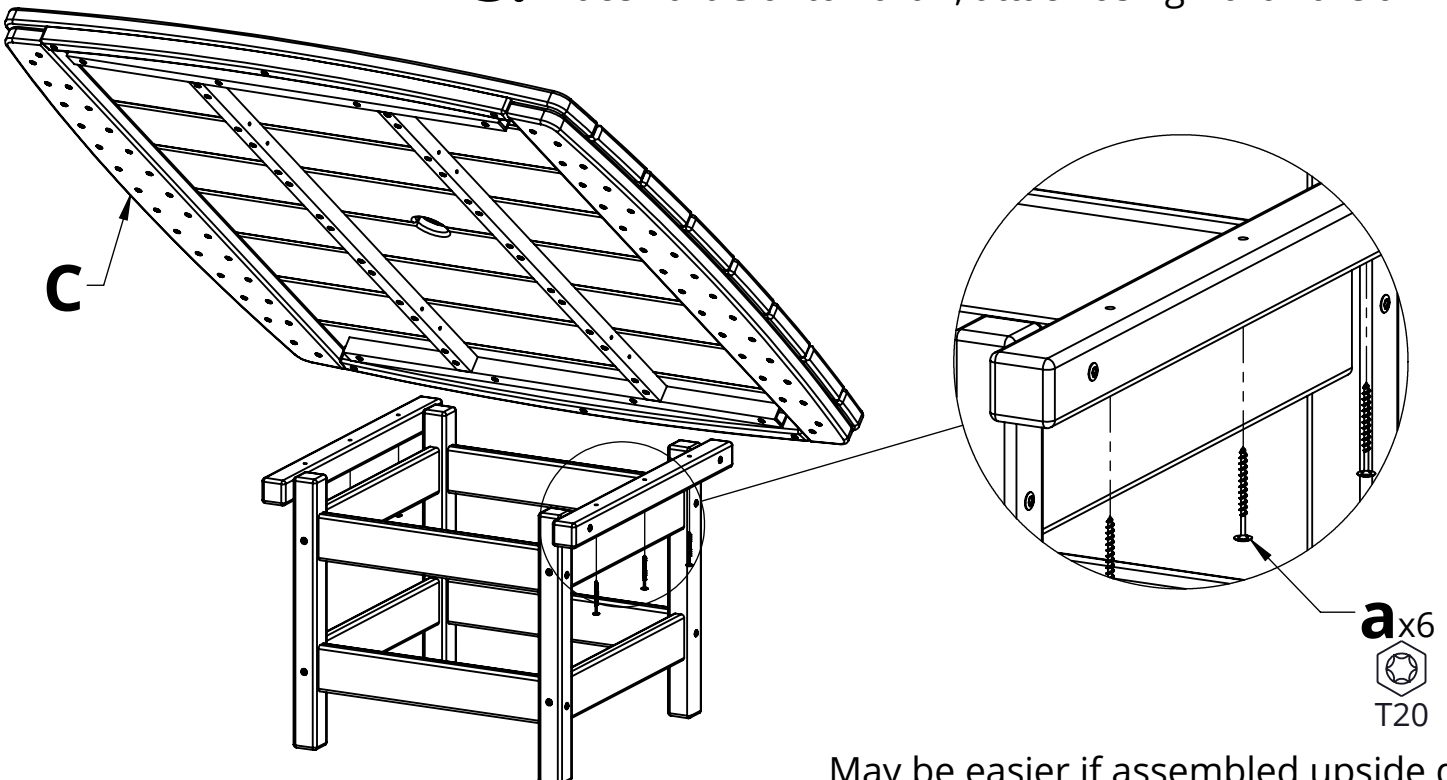
Please read entire instructions before beginning

- 1.** Attach Part B to Part A using Hardware b



- 2.** Place second Part A on assembled piece from Step 1, attach with Hardware b

- 3.** Place Part C onto Part A, attach using Hardware a



May be easier if assembled upside down