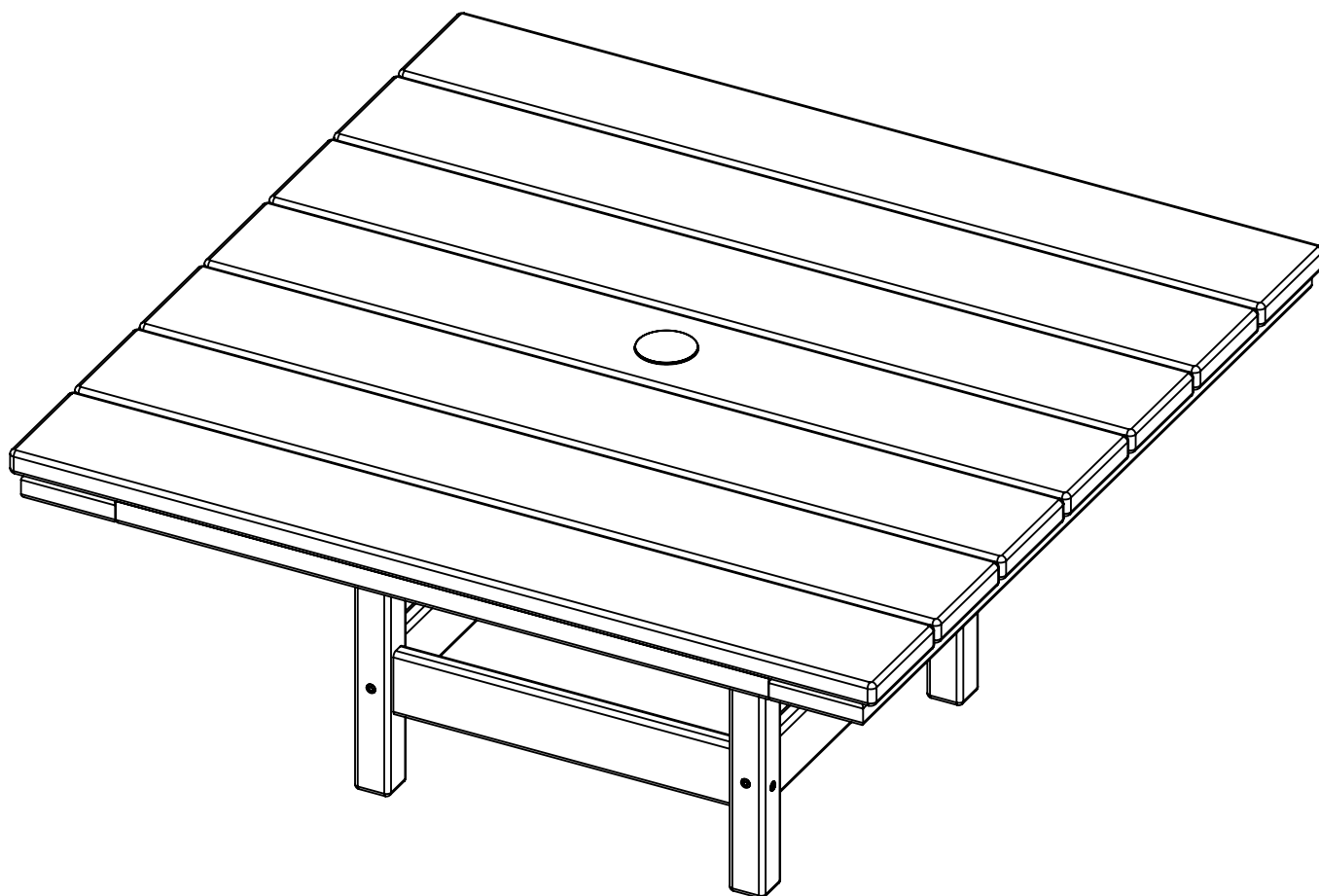
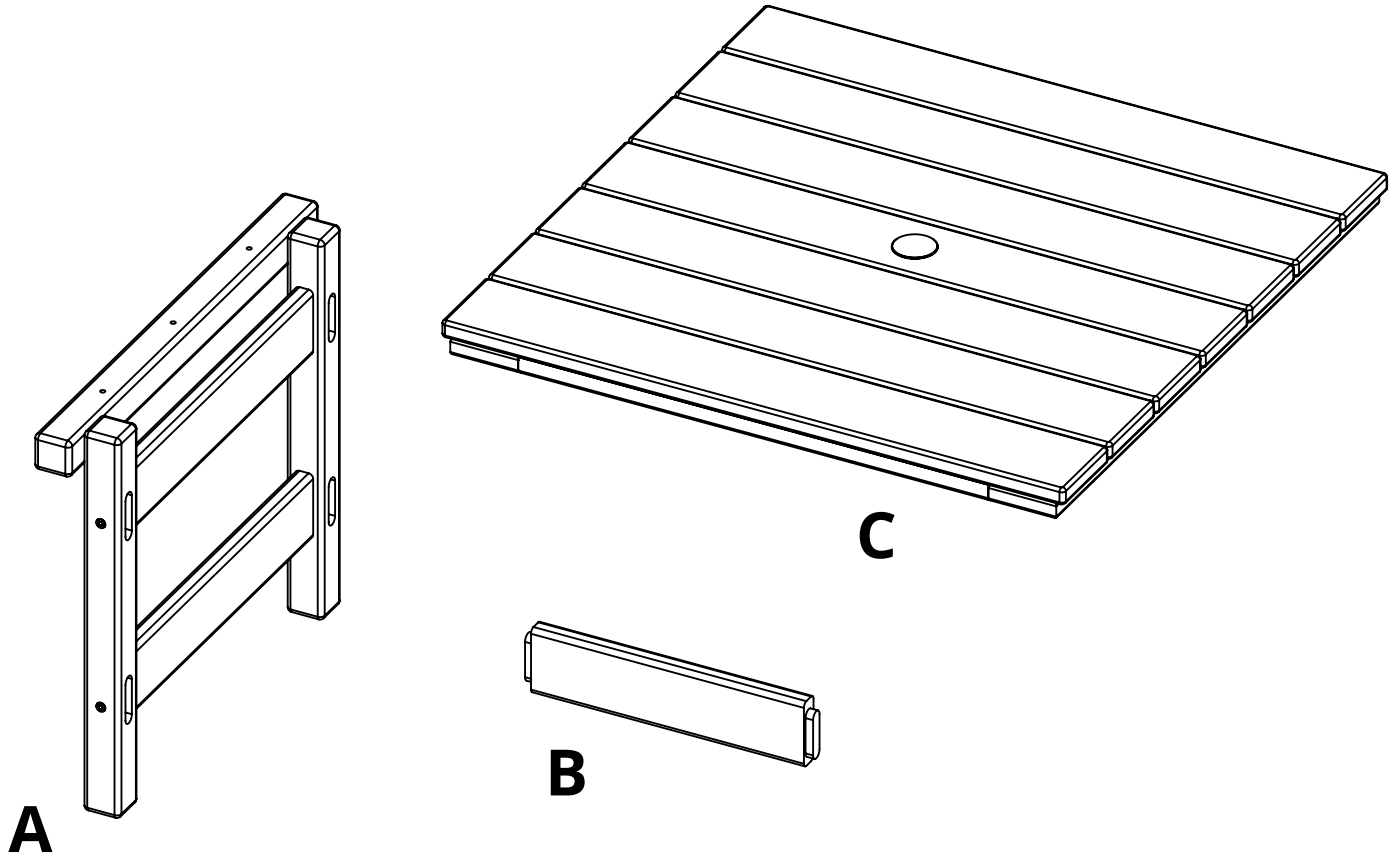


breezesta™

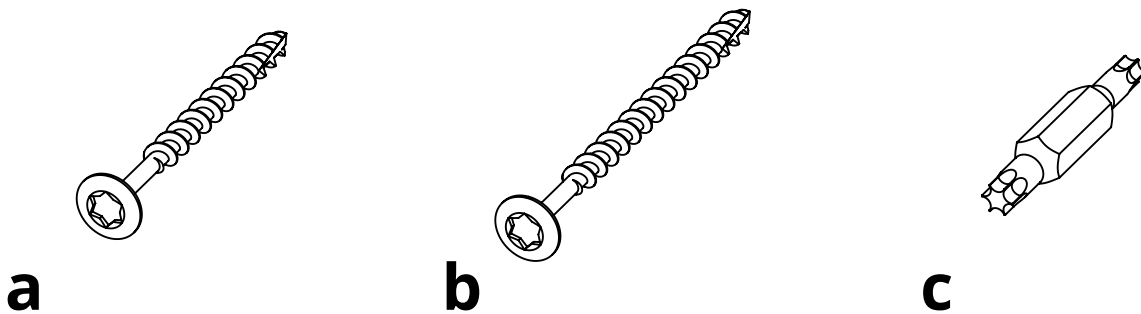
**36"x 36" CONVERSATION TABLE**  
**CT-1106**



REV00-1/19



| <b>PARTS</b> |                            |                 |            |
|--------------|----------------------------|-----------------|------------|
| <b>PART</b>  | <b>DESCRIPTION</b>         | <b>PART NO.</b> | <b>QTY</b> |
| A            | SIDE ASSEMBLY              | SA-00306        | 2          |
| B            | STOOL SEAT SLAT            | SS-14.375       | 4          |
| C            | TABLE TOP ASSEMBLY 36"x36" | SA-00325        | 1          |

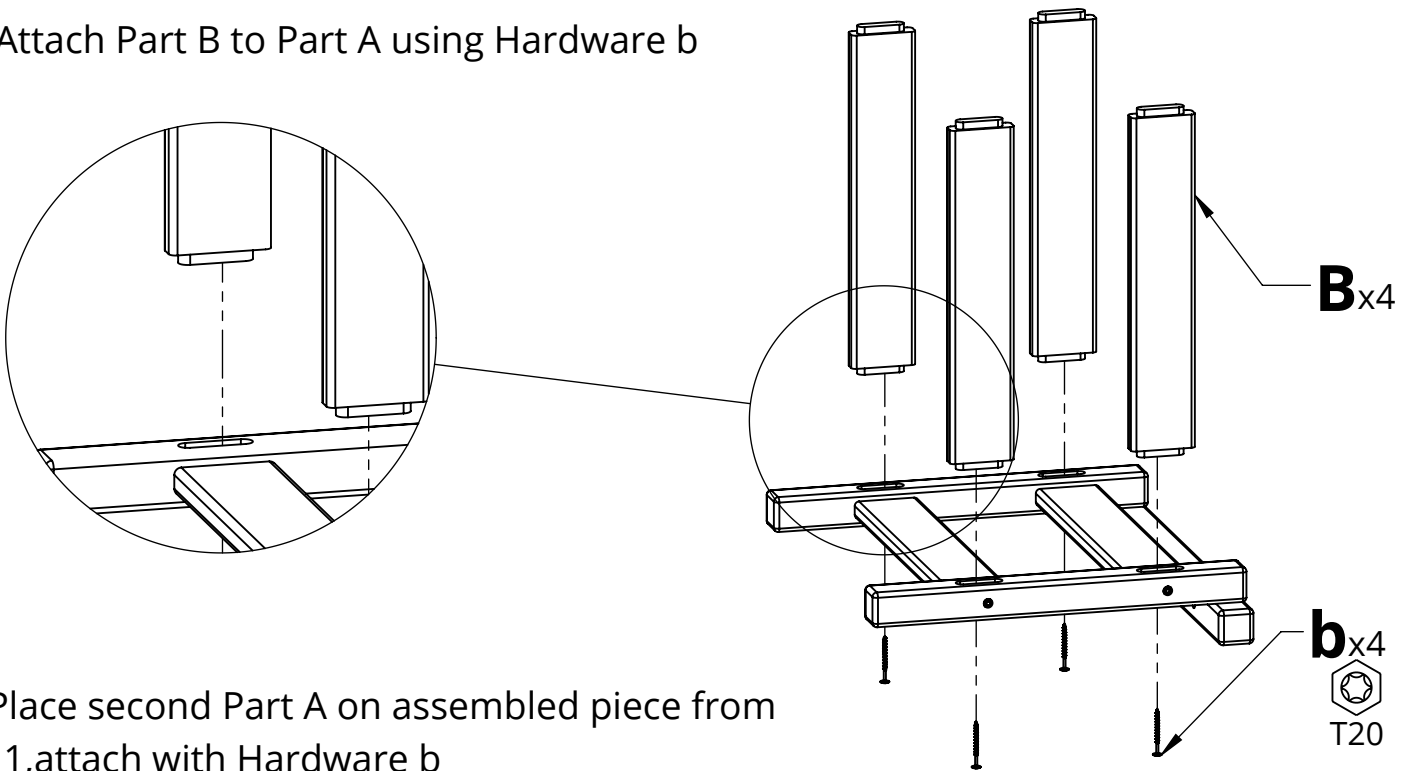


| <b>HARDWARE</b> |                        |                 |            |
|-----------------|------------------------|-----------------|------------|
| <b>PART</b>     | <b>DESCRIPTION</b>     | <b>PART NO.</b> | <b>QTY</b> |
| a               | #8 X 2" TORX SCREW     | H-0000-S82      | 6          |
| b               | #8 X 2-1/2" TORX SCREW | H-0000-S825     | 8          |
| c               | T20 & T25 TORX BIT     | H-0000-CTD      | 1          |

**Suggested Tools:** Drill, Plastic Mallet

# Please read entire instructions before beginning

- 1.** Attach Part B to Part A using Hardware b



- 2.** Place second Part A on assembled piece from Step 1, attach with Hardware b

- 3.** Place Part C onto Part A, attach using Hardware a

