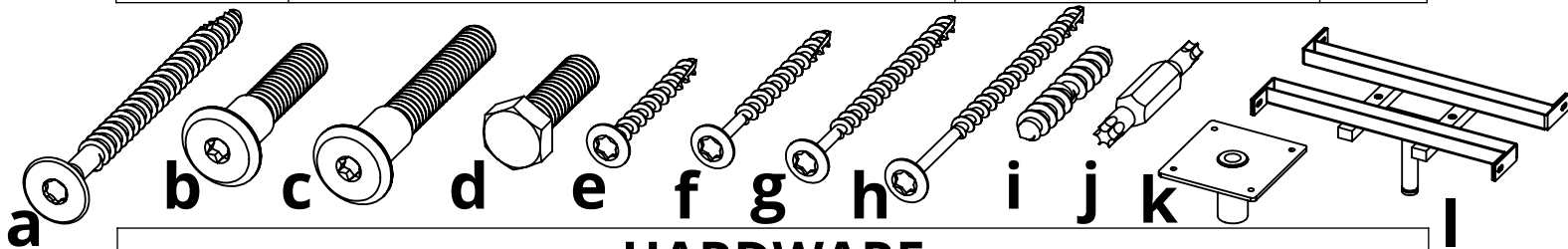


PARTS

PART	DESCRIPTION	PART NO.	QTY
A	LEFT LEG ASSEMBLY	SA-00051	2
B	RIGHT LEG ASSEMBLY	SA-00052	2
C	SWIVEL SUPPORT ASSEMBLY	SA-00085	1
D	SEAT ASSEMBLY	SA-00089	1
E	ARM CONNECTOR ASSEMBLY	SA-00086	2
F	UNDER ARM SUPPORT	PRT-00146	2
G	LEFT ARM ASSEMBLY	SA-00087	1
H	RIGHT ARM ASSEMBLY	SA-00088	1
I	COASTAL/BB SEAT SLAT	SS-17.437	2
J	BASE RAIL	PRT-00174	2
K	FOOT REST	PRT-00168	2
L	BACK ASSEMBLY	SA-00069	1

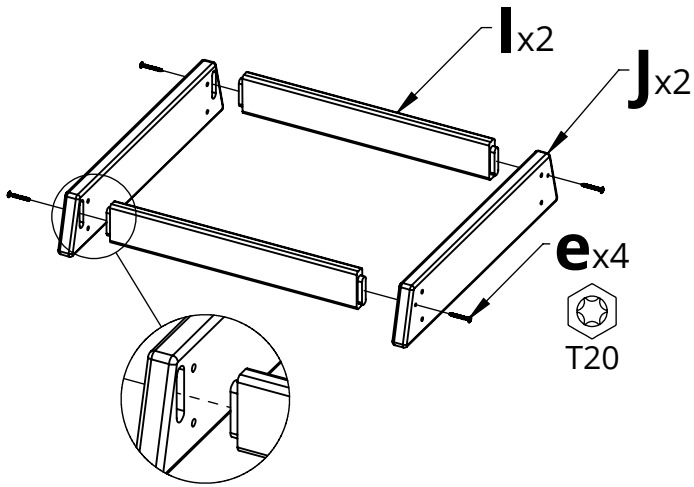


HARDWARE

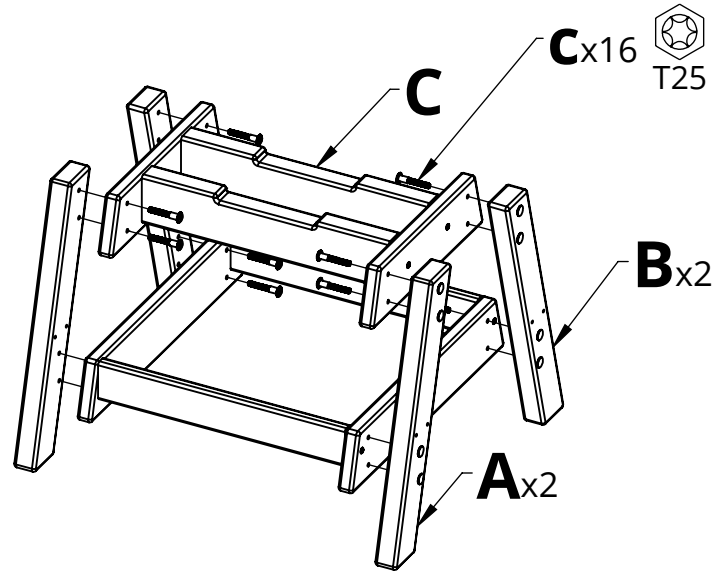
PART	DESCRIPTION	PART NO.	QTY
a	1/4"-10 X 3" LAG SCREW	H-0000-S103	4
b	5/16" X 1-1/2" CHAIR BOLT	H-0000-CB51615	2
c	5/16" X 2-1/8" CHAIR BOLT	H-0000-CB516218	20
d	1" HEX BOLT 5/16" DIA	H-0000-HB1	4
e	#8 X 1-1/12" TORX SCREW	H-0000-S815	4
f	#8 X 2" TORX SCREW	H-0000-S82	2
g	#8 X 2-1/2" TORX SCREW	H-0000-S825	4
h	#8 X 3" TORX SCREW	H-0000-S83	8
i	DOUBLE SCREW	H-0000-DS	2
j	T20 & T25 TORX BIT	H-0000-CTD	1
k	COASTAL SWIVEL ASSEMBLY - BOTTOM	H-0000-SAC	1
l	COASTAL SWIVEL ASSEMBLY - TOP	H-0000-SAC	1

Suggested Tools: Drill, Plastic Mallet, 1/2" Socket Wrench

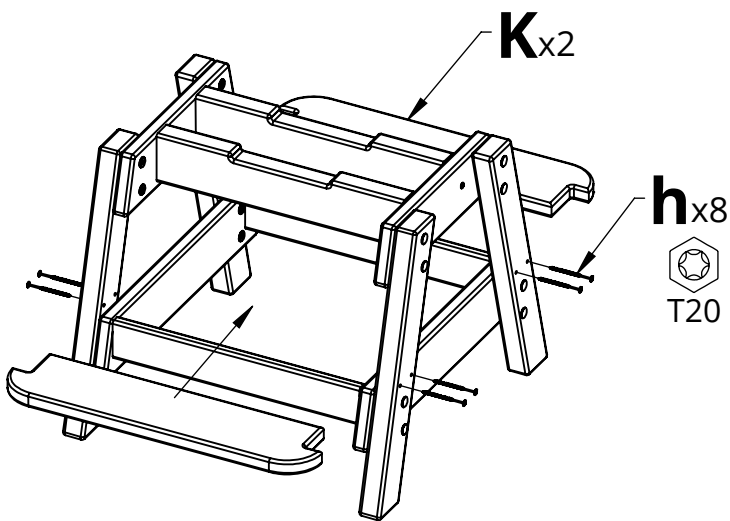
Please read entire instructions before beginning



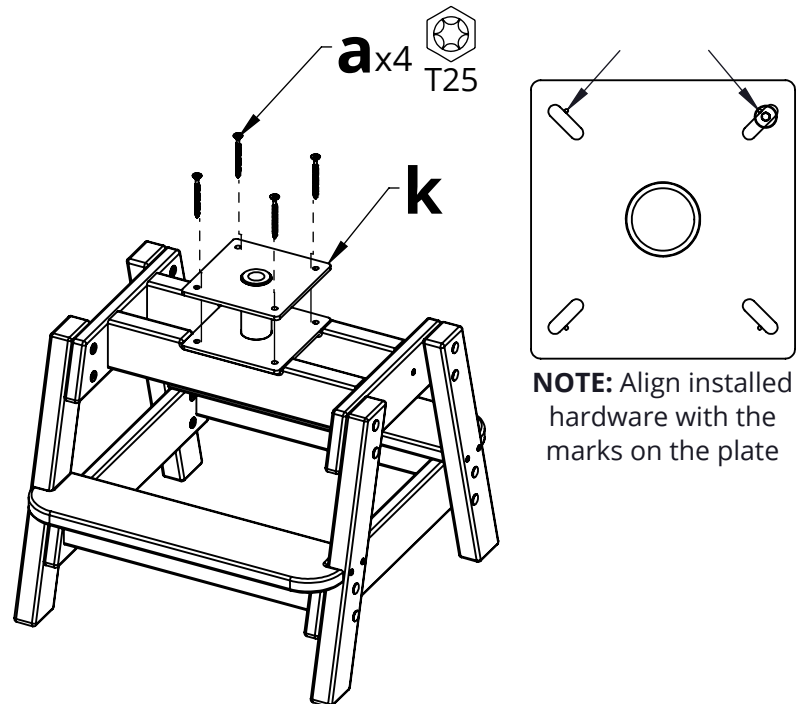
1. Connect Parts I & J together using Hardware e



2. Connect Parts A & B to Part C & previous assembly using Hardware c

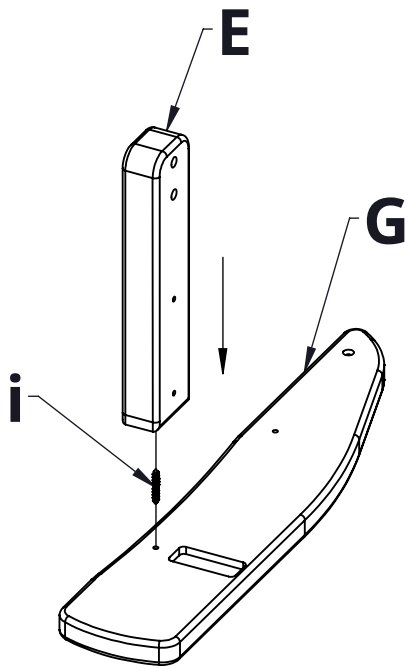


3. Attach Part K to the previous assembly using Hardware h

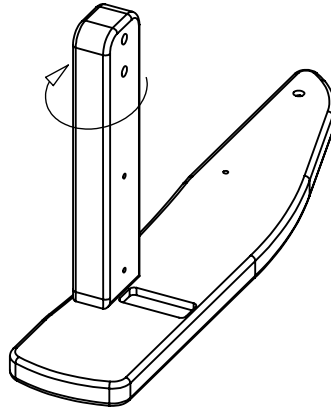


NOTE: Align installed hardware with the marks on the plate

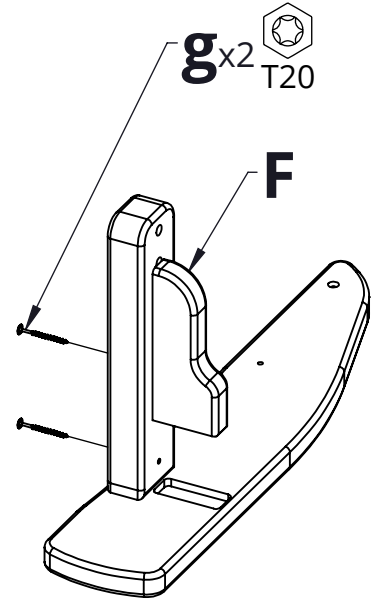
4. Attach Hardware k to the previous assembly using Hardware a



5. Attach Part E to Part G using Hardware i

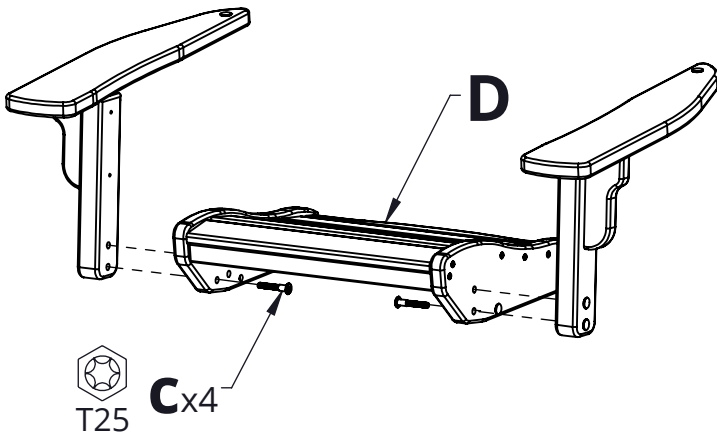


6. Rotate Part E clockwise until tight in the orientation shown

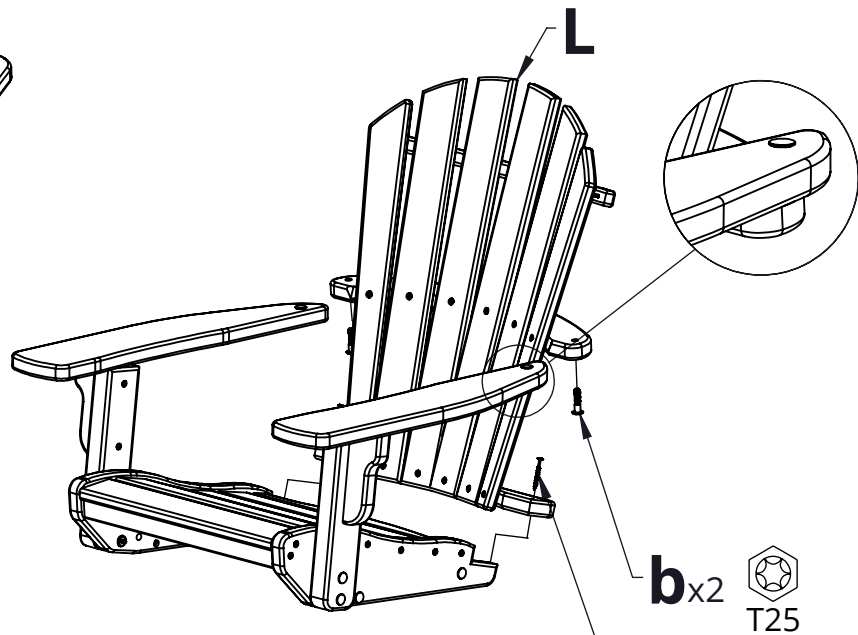


7. Place Part F into the pre cut slot and attach with Hardware f

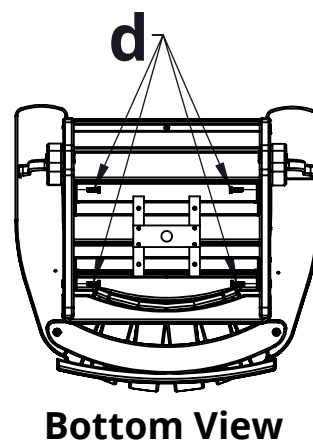
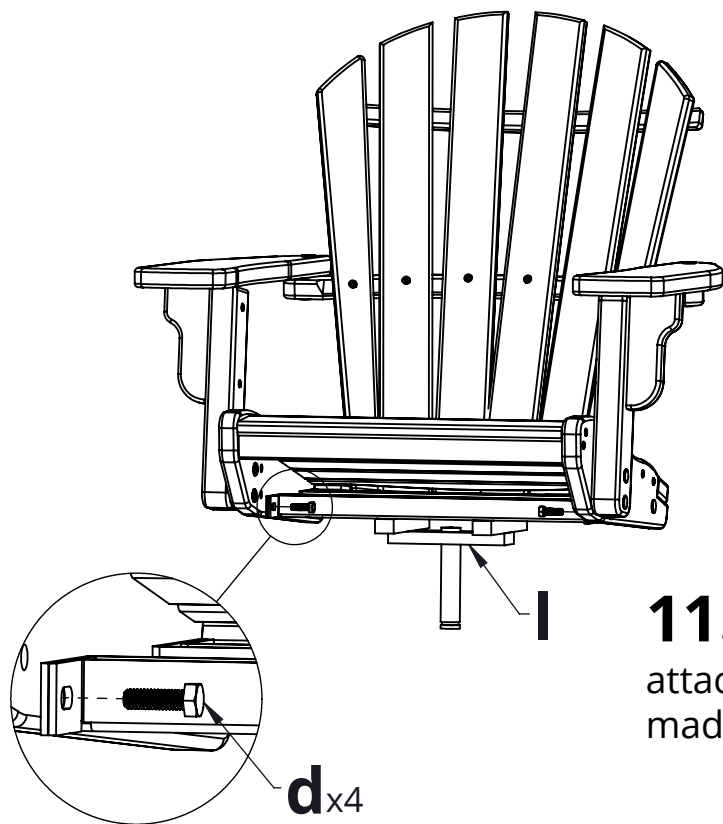
8. Repeat steps 5-7 for Parts H, E, & F



9. Place Part D between the previous assemblies and attach with hardware c

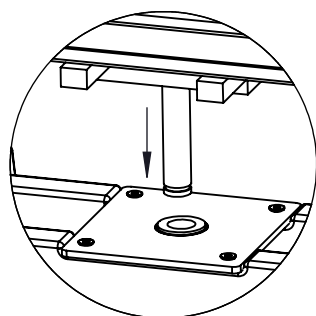


10. Connect Part L to the assembly as shown



Bottom View

11. Using Hardware d & a 1/2" wrench, attach Hardware I, assembly may be made easier if turned upside down



12. Insert Hardware I into k as shown & push down firmly until the assembly clicks in place

