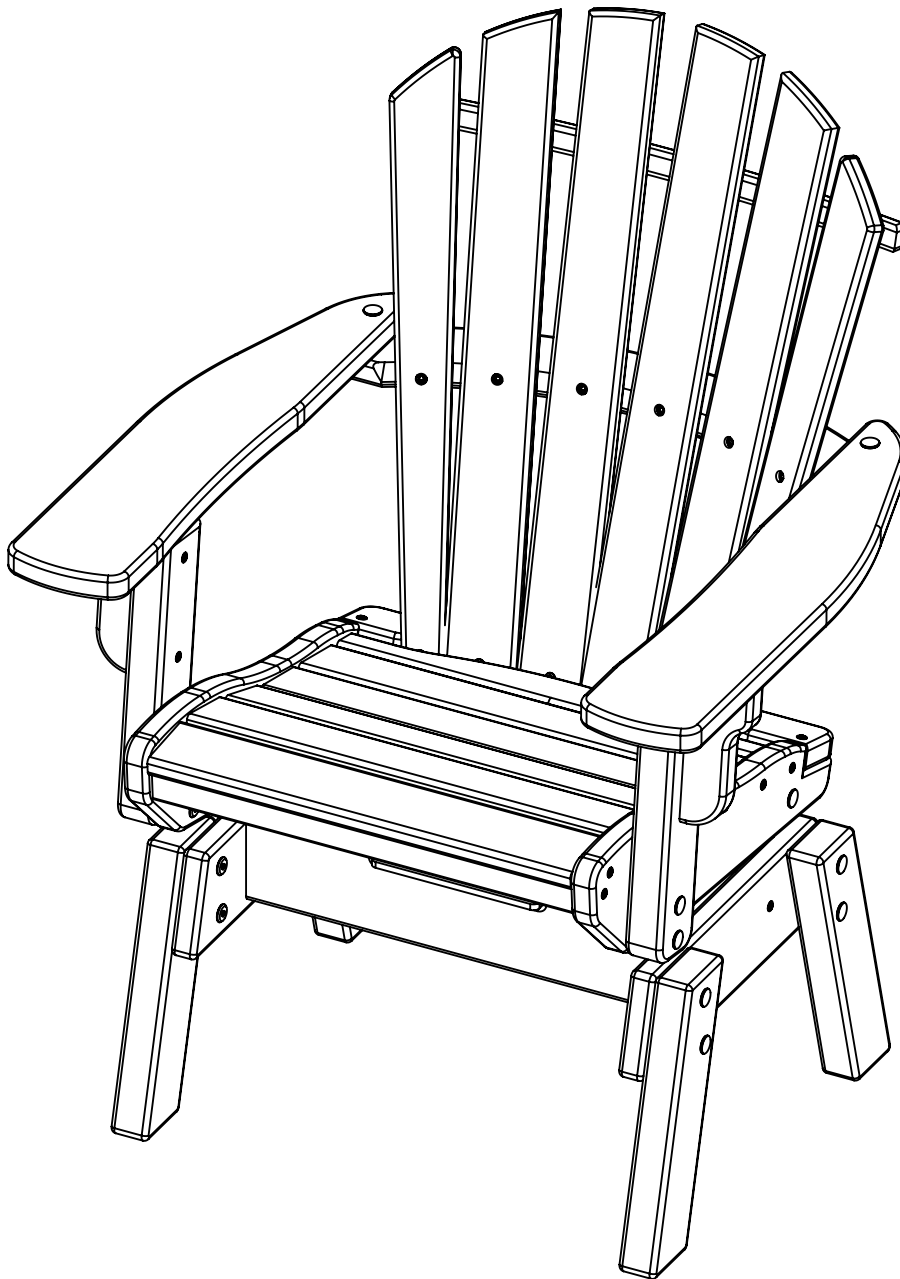
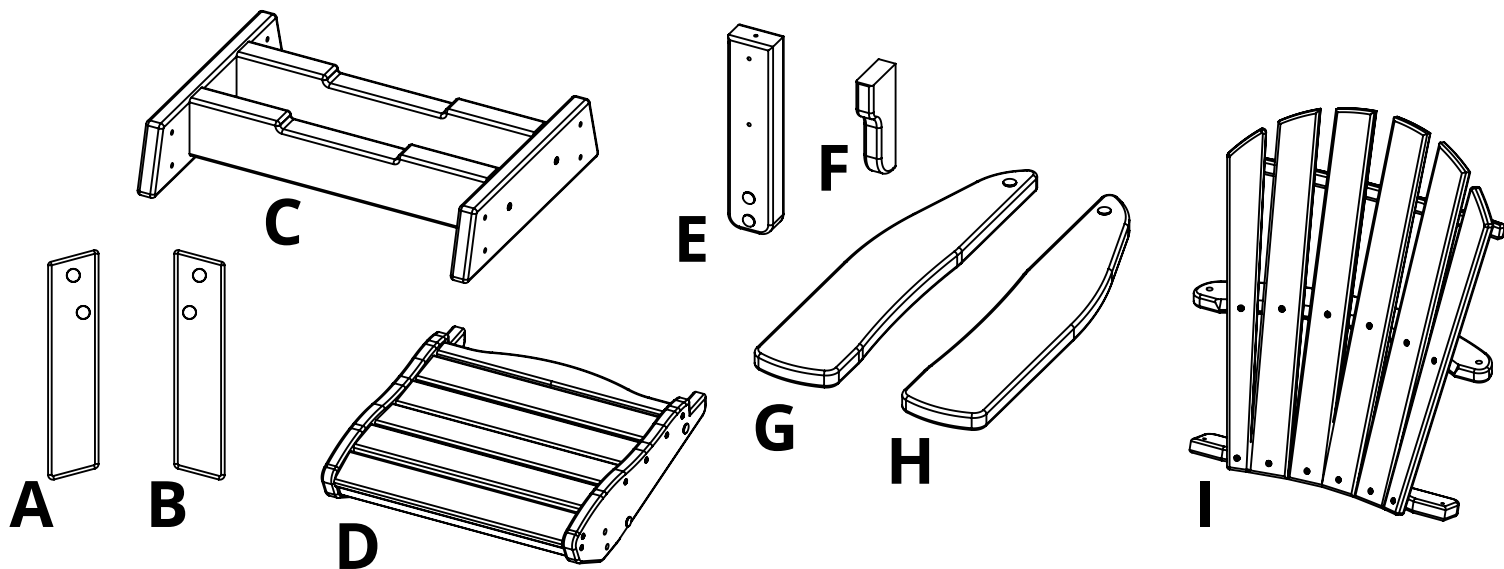


breezesta™

**COASTAL SWIVEL DINING CHAIR**  
**CO-0100**

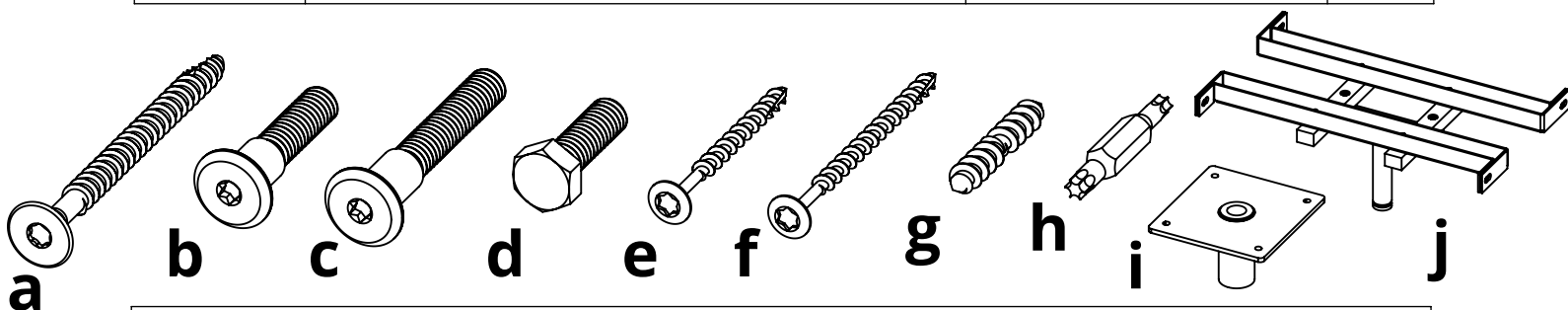


REV01-2/19



## PARTS

PART	DESCRIPTION	PART NO.	QTY
A	LEFT LEG ASSEMBLY	SA-00083	2
B	RIGHT LEG ASSEMBLY	SA-00084	2
C	SWIVEL SUPPORT ASSEMBLY	SA-00085	1
D	SEAT ASSEMBLY	SA-00089	1
E	ARM CONNECTOR ASSEMBLY	SA-00086	2
F	UNDER ARM SUPPORT	PRT-00146	2
G	LEFT ARM ASSEMBLY	SA-00087	1
H	RIGHT ARM ASSEMBLY	SA-00088	1
I	BACK ASSEMBLY	SA-00069	1



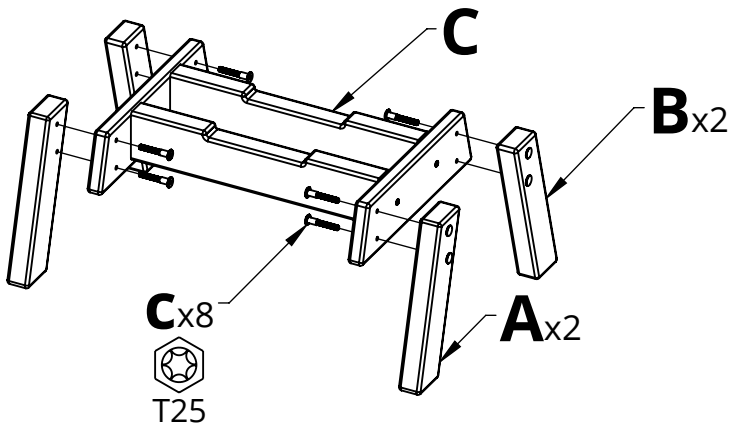
## HARDWARE

PART	DESCRIPTION	PART NO.	QTY
a	1/4"-10 X 3" LAG SCREW UNPAINTED	H-0000-S103	4
b	5/16" X 1-1/2" CHAIR BOLT	H-0000-CB51615	2
c	5/16" X 2-1/8" CHAIR BOLT	H-0000-CB516218	12
d	1" HEX BOLT 5/16" DIA	H-0000-HB1	4
e	#8 X 2" TORX SCREW	H-0000-S82	2
f	#8 X 2-1/2" TORX SCREW	H-0000-S825	4
g	DOUBLE SCREW	H-0000-DS	2
h	T25 & T20 TORX BIT	H-0000-CTD	1
i	COASTAL SWIVEL ASSEMBLY - TOP	H-0000-SAC	1
j	COASTAL SWIVEL ASSEMBLY - BOTTOM	H-0000-SAC	1

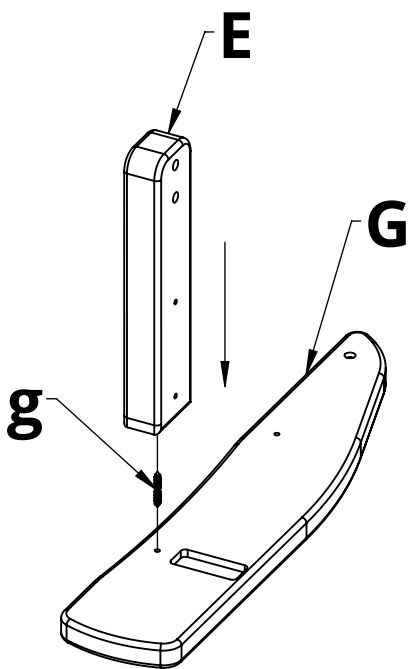
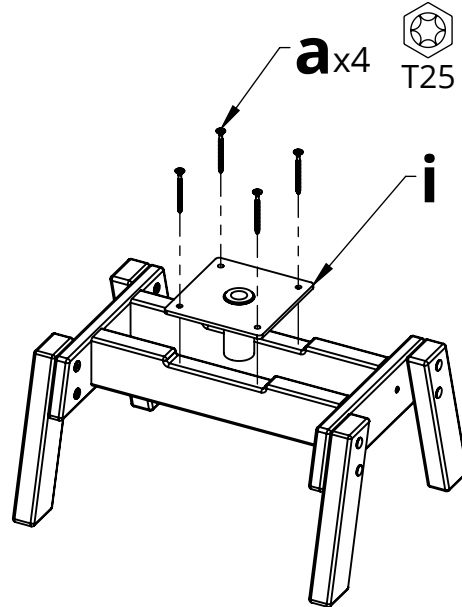
**Suggested Tools:** Drill, Plastic Mallet, 1/2" Socket Wrench

# Please read entire instructions before beginning

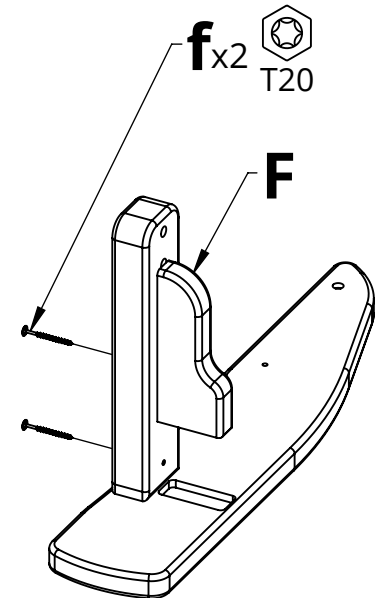
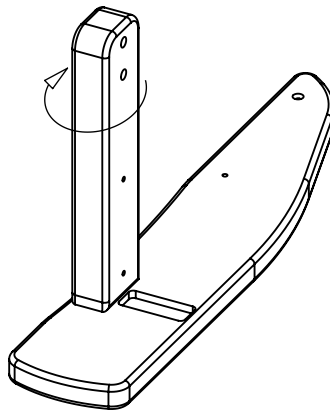
**1.** Connect Parts A & B to Part C using Hardware c as shown



**2.** Attach Hardware i to the previous assembly using Hardware a



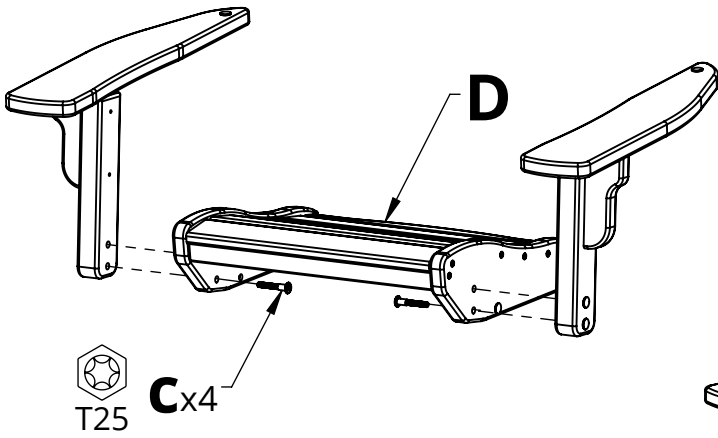
**4.** Rotate Part E clockwise until tight in the orientation shown



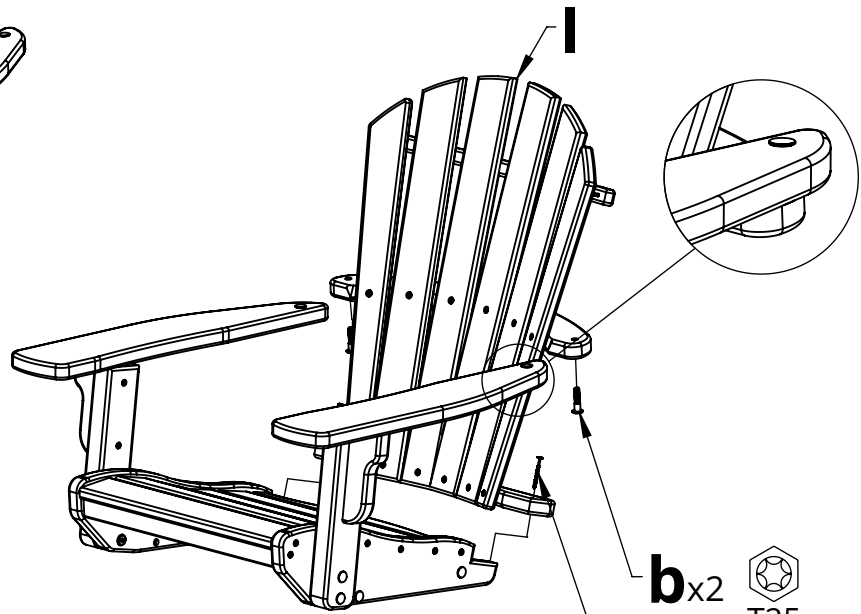
**5.** Place Part F into the pre cut slot and attach with Hardware f

**3.** Attach Part E to Part G using Hardware f

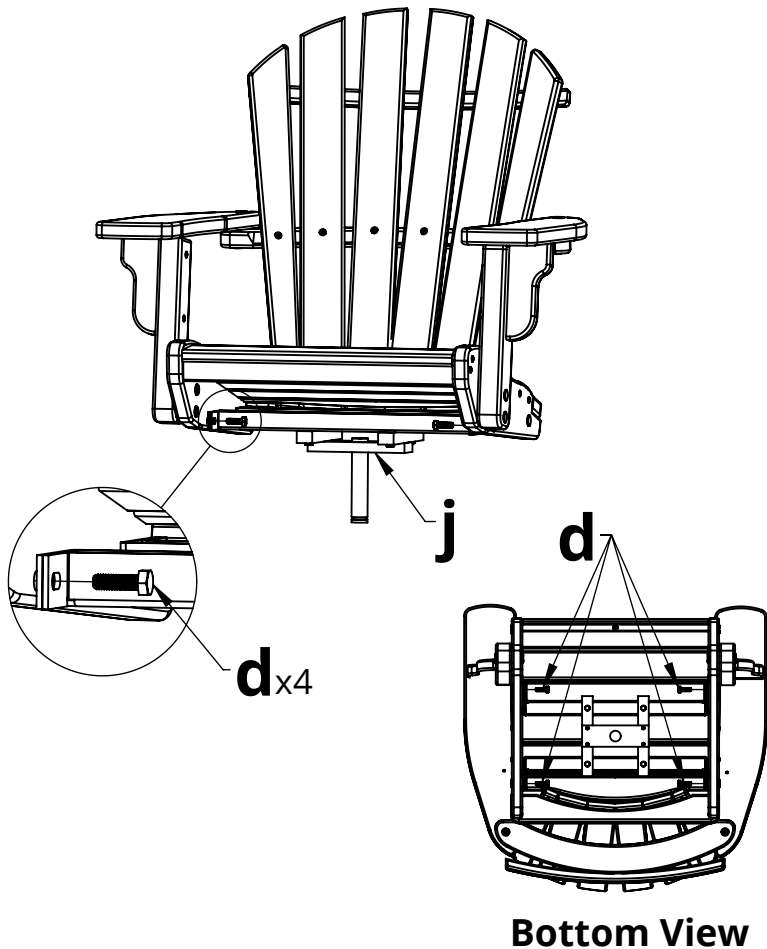
**6.** Repeat steps 3-5 for Parts H, E, & F



**7.** Place Part D between the previous assemblies and attach with hardware c



**8.** Connect Part I to the assembly as shown



**9.** Using Hardware d & a 1/2" wrench, attach Hardware j, assembly may be made easier if turned upside down

