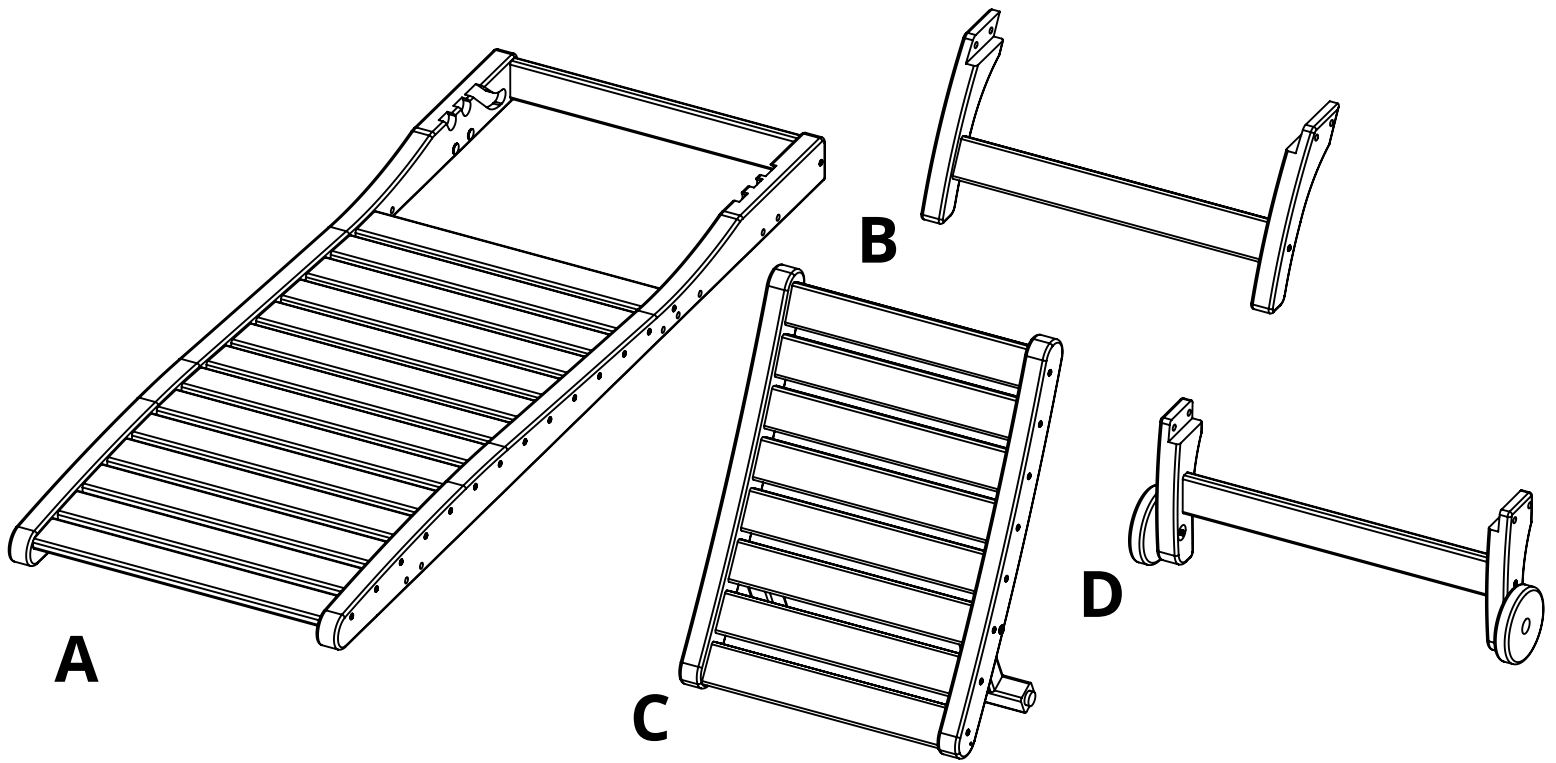


breezesta™

CONTOUR SUN CHAISE LOUNGE W/WHEELS
CL-1302

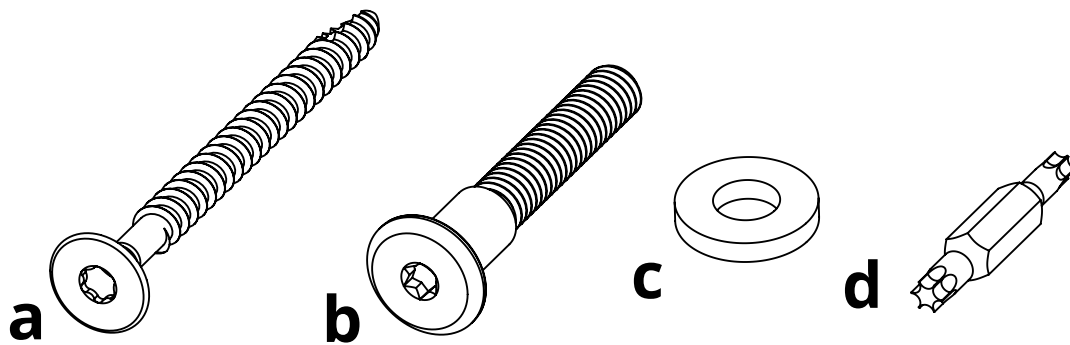


REV00-1/19



PARTS

PART	DESCRIPTION	PART NO.	QTY
A	SEAT ASSEMBLY	SA-00141	1
B	LEG ASSEMBLY	SA-00140	2
C	SEAT BACK ASSEMBLY	SA-00142	1
D	WHEEL KIT ASSEMBLY B	SA-00144	1



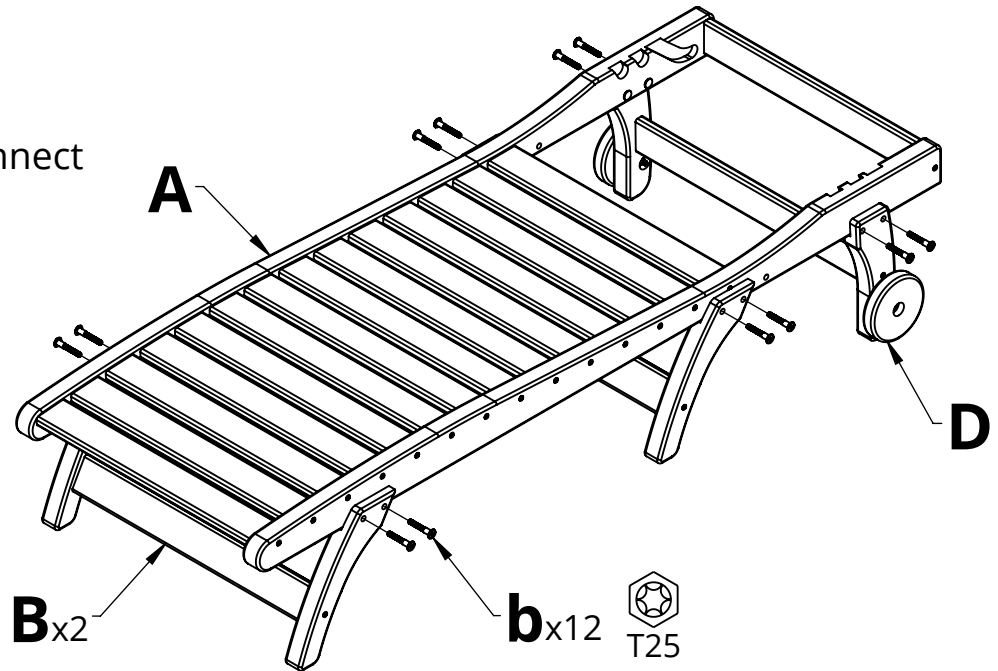
HARDWARE

PART	DESCRIPTION	PART NO.	QTY
a	1/4"-10 X 3" LAG SCREW	H-0000-S103	2
b	5/16" X 2-1/8" CHAIR BOLT	H-0000-CB516218	12
c	LARGE WHITE NYLON WASHER	H-0000-LWNW	2
d	T20 & T25 TORX BIT	H-0000-CTD	1

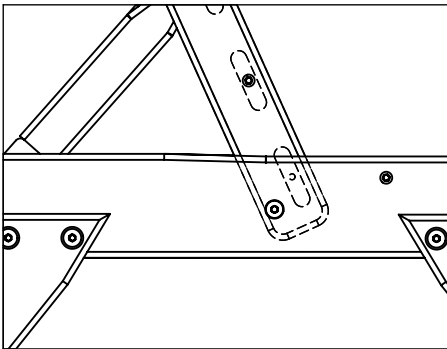
Suggested Tools: Drill, Plastic Mallet

Please read entire instructions before beginning

1. Place Parts B onto A and connect it using Hardware b as shown



Side View



2. Drop Part C into place and connect it through the pre-drilled holes as shown

