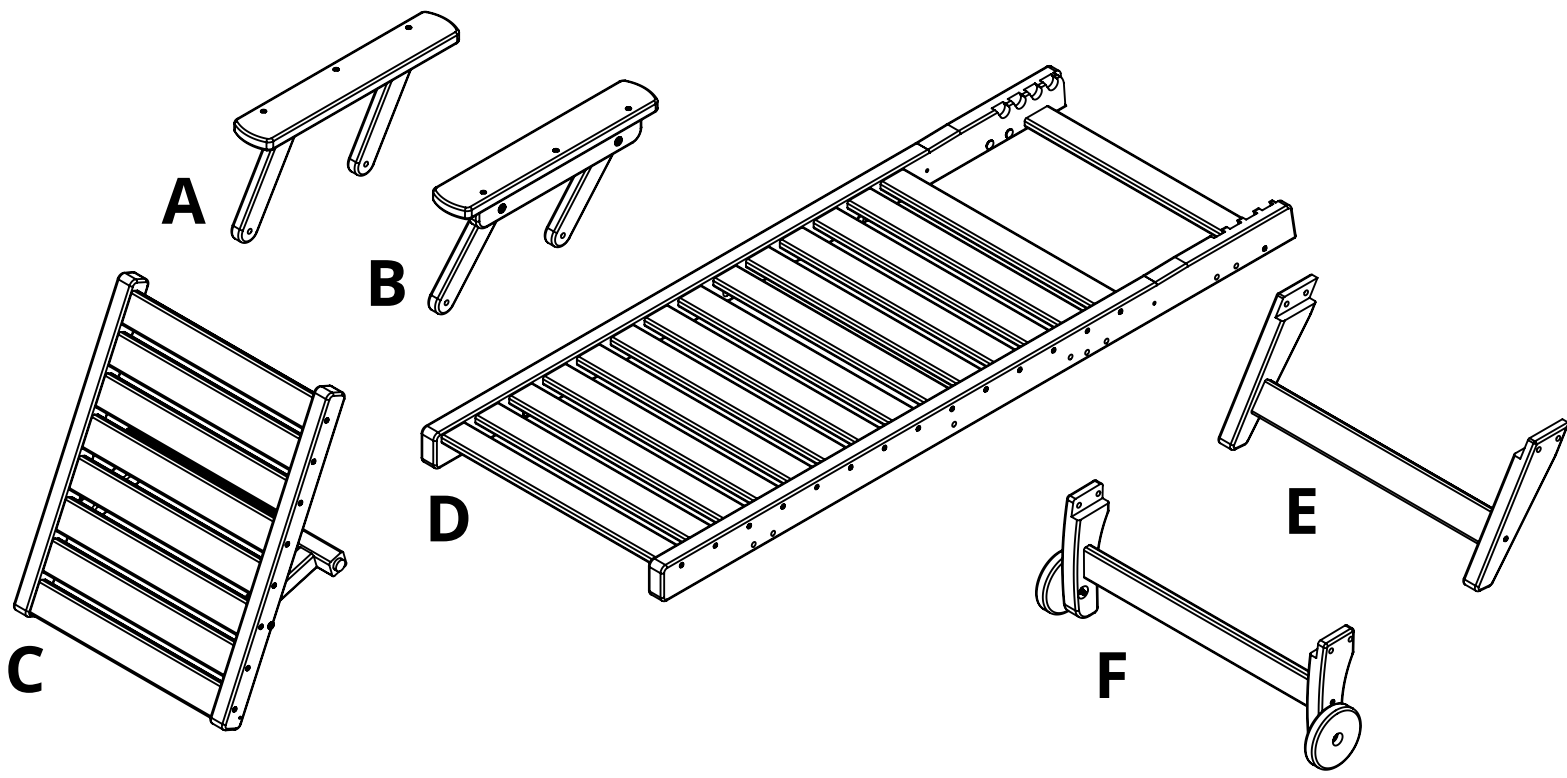


breezesta™

**CHAISE LOUNGE CHAIR W/WHEELS**  
**CL-1300**

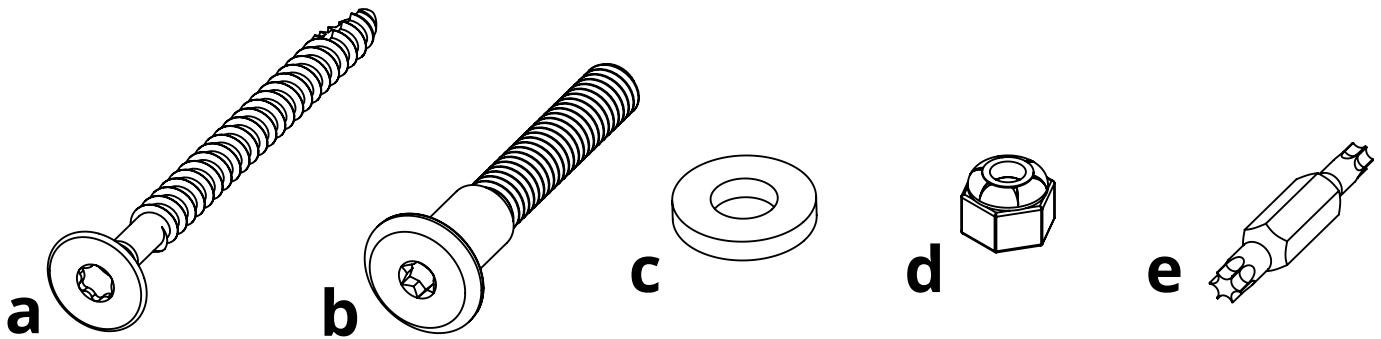


REV00-1/19



## PARTS

PART	DESCRIPTION	PART NO.	QTY
A	LEFT ARM ASSEMBLY	SA-00133	1
B	RIGHT ARM ASSEMBLY	SA-00134	1
C	SEAT BACK ASSEMBLY	SA-00132	1
D	SEAT ASSEMBLY	SA-00131	1
E	LEG ASSEMBLY	SA-00130	2
F	WHEEL KIT ASSEMBLY A	SA-00143	1



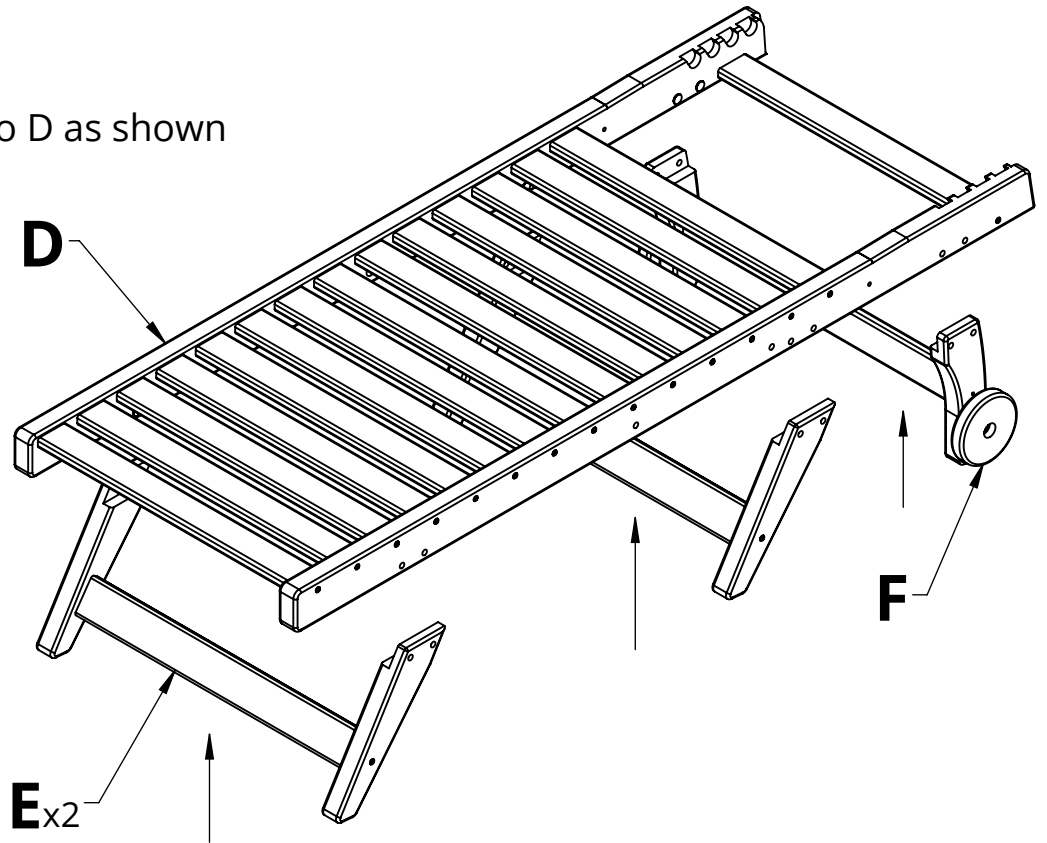
## HARDWARE

PART	DESCRIPTION	PART NO.	QTY
a	1/4"-10 X 3" LAG SCREW	H-0000-S103	2
b	5/16" X 2-1/8" CHAIR BOLT	H-0000-CB516218	16
c	LARGE WHITE NYLON WASHER	H-0000-LWNW	6
d	5/16" STAINLESS LOCK NUT	H-0000-LN516	4
e	T20 & T25 TORX BIT	H-0000-CTD	1

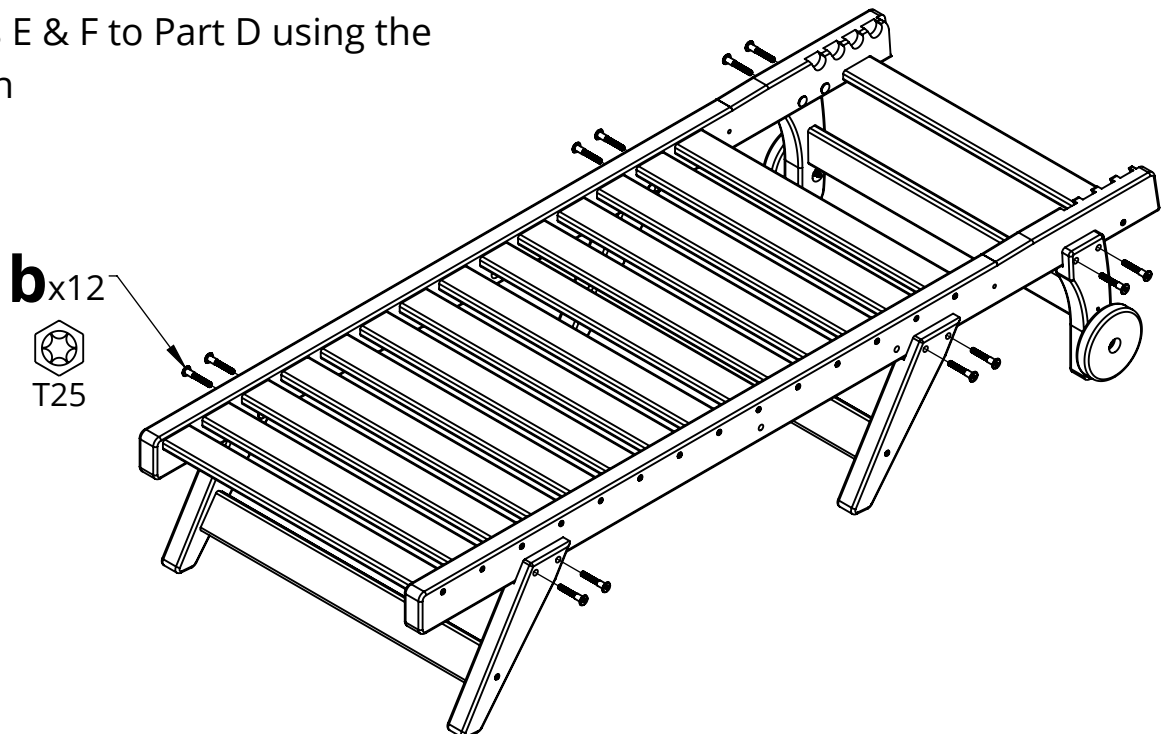
**Suggested Tools:** Drill, Plastic Mallet

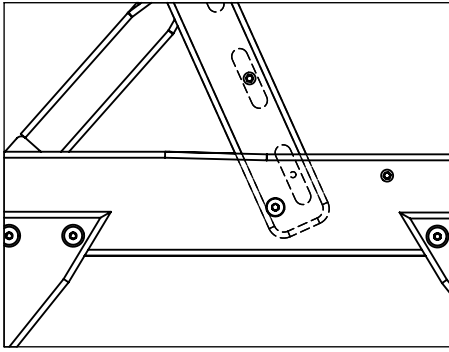
# Please read entire instructions before beginning

1. Place Parts E & F onto D as shown



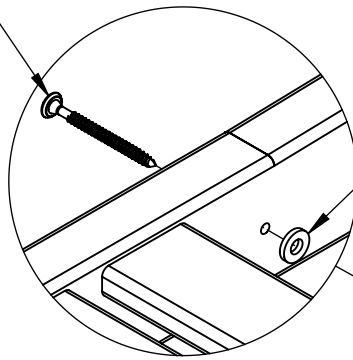
2. Attach Parts E & F to Part D using the hardware shown



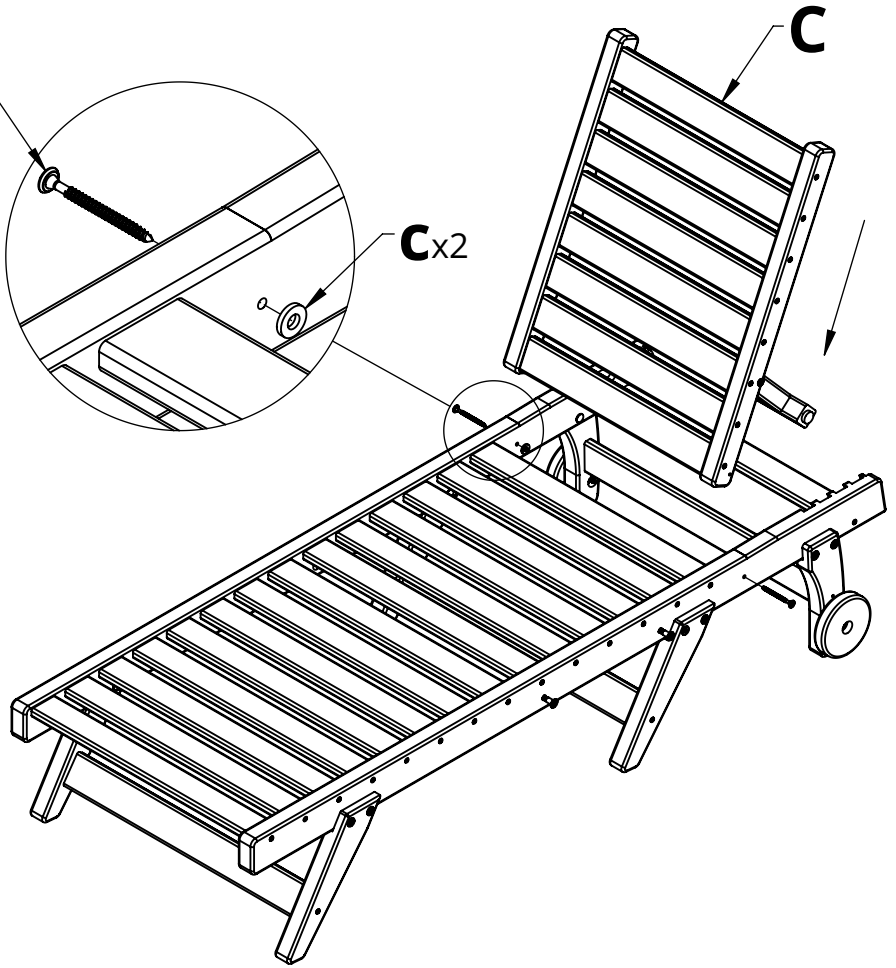


**Side View**

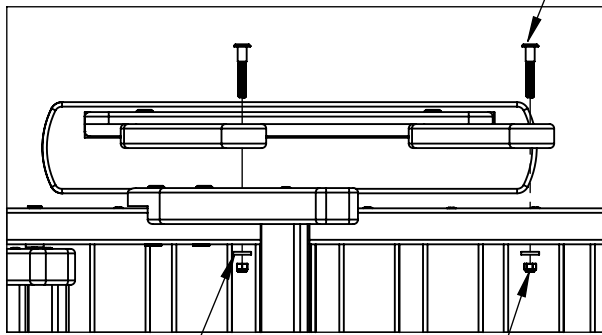
**a**x2  
  
 T25




**c**x2



**3.** Drop Part C into place and secure it using Hardware a & c through the pre-drilled holes

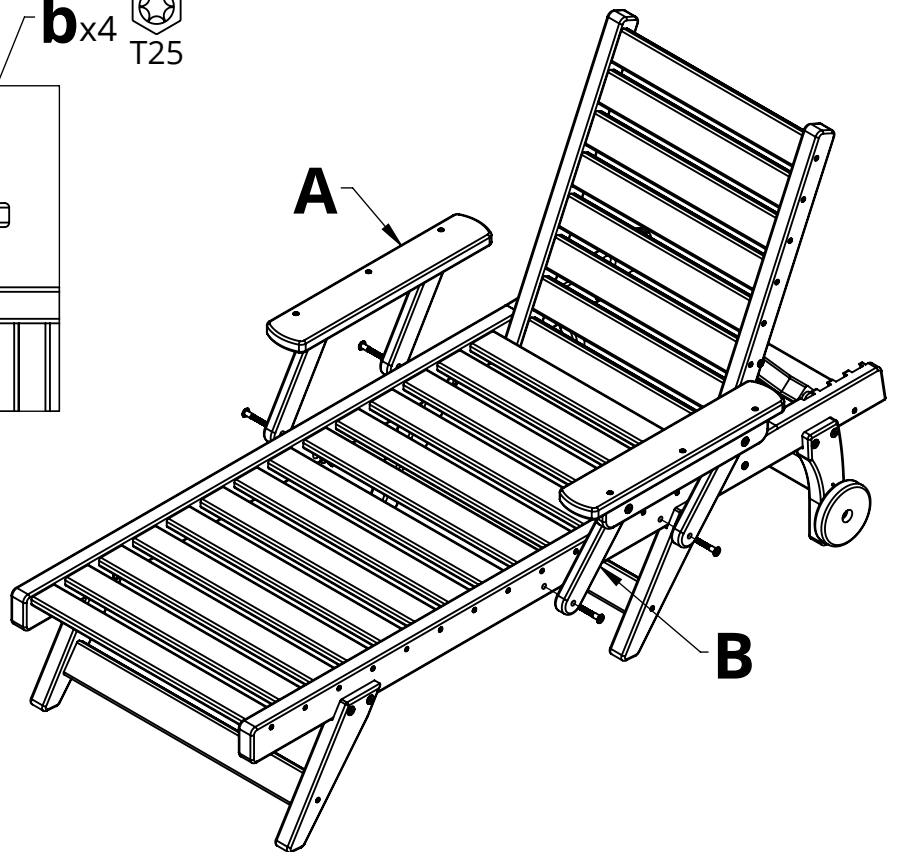


**Bottom View**

**b**x4  
  
 T25

**c**x4

**d**x4



**4.** Place Parts A & B onto the assembly and attach it using the hardware as shown