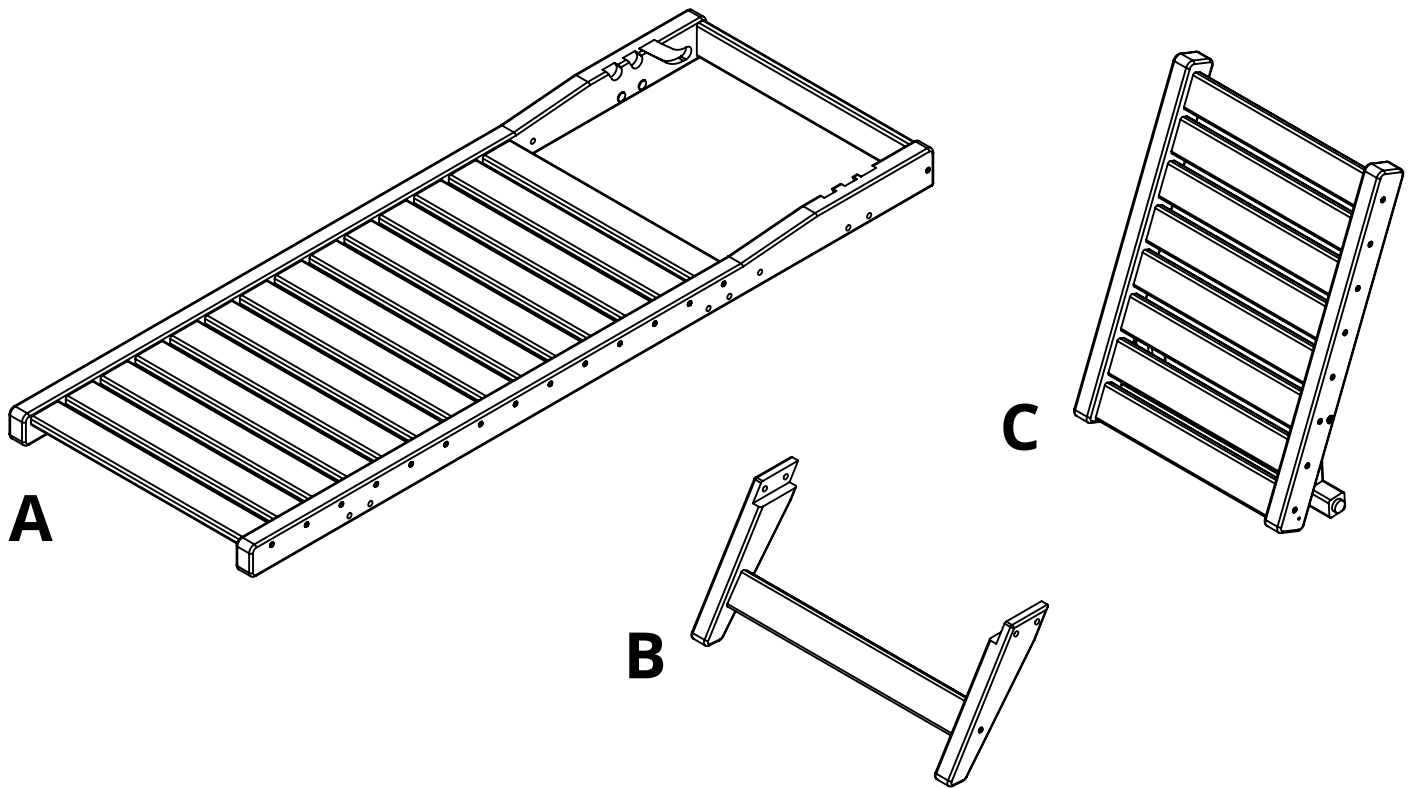


breezesta™

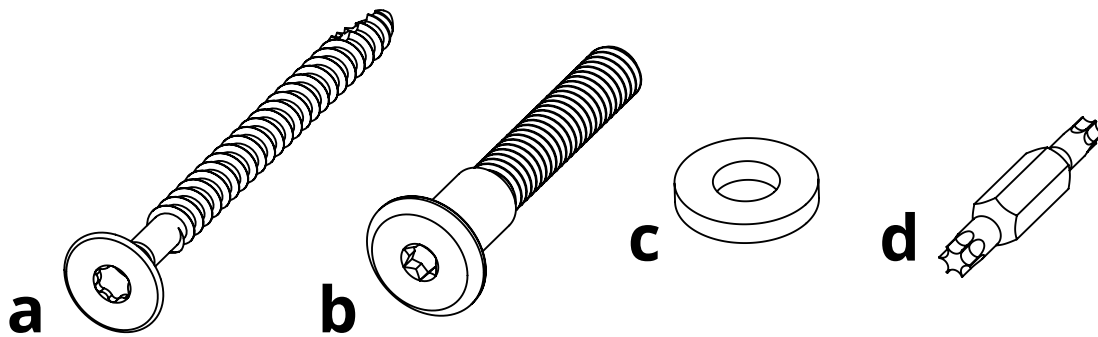
FLAT SUN CHAISE LOUNGE
CL-1201



REV00-1/19



PARTS			
PART	DESCRIPTION	PART NO.	QTY
A	SEAT ASSEMBLY	SA-00137	1
B	LEG ASSEMBLY	SA-00136	3
C	SEAT BACK ASSEMBLY	SA-00138	1

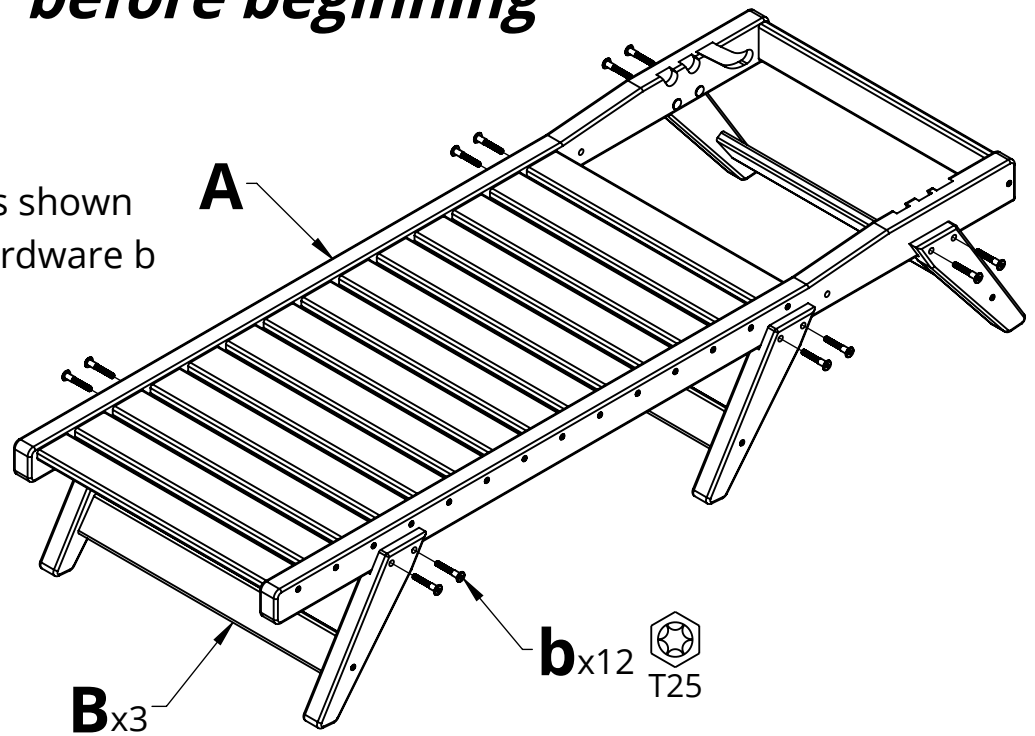


HARDWARE			
PART	DESCRIPTION	PART NO.	QTY
a	1/4"-10 X 3" LAG	H-0000-S103	2
b	5/16" X 2-1/8" CHAIR BOLT	H-0000-CB516218	12
c	LARGE WHITE NYLON WASHER	H-0000-LWNW	2
d	T20 & T25 TORX BIT	H-0000-CTD	1

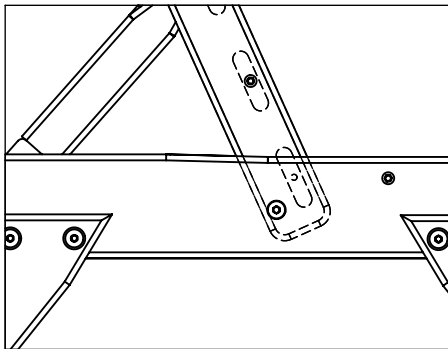
Suggested Tools: Drill, Plastic Mallet

Please read entire instructions before beginning

- 1.** Place Parts B onto A as shown and connect them with Hardware b



Side View



- 2.** Attach Part C to the assembly through the pre-drilled holes as shown

