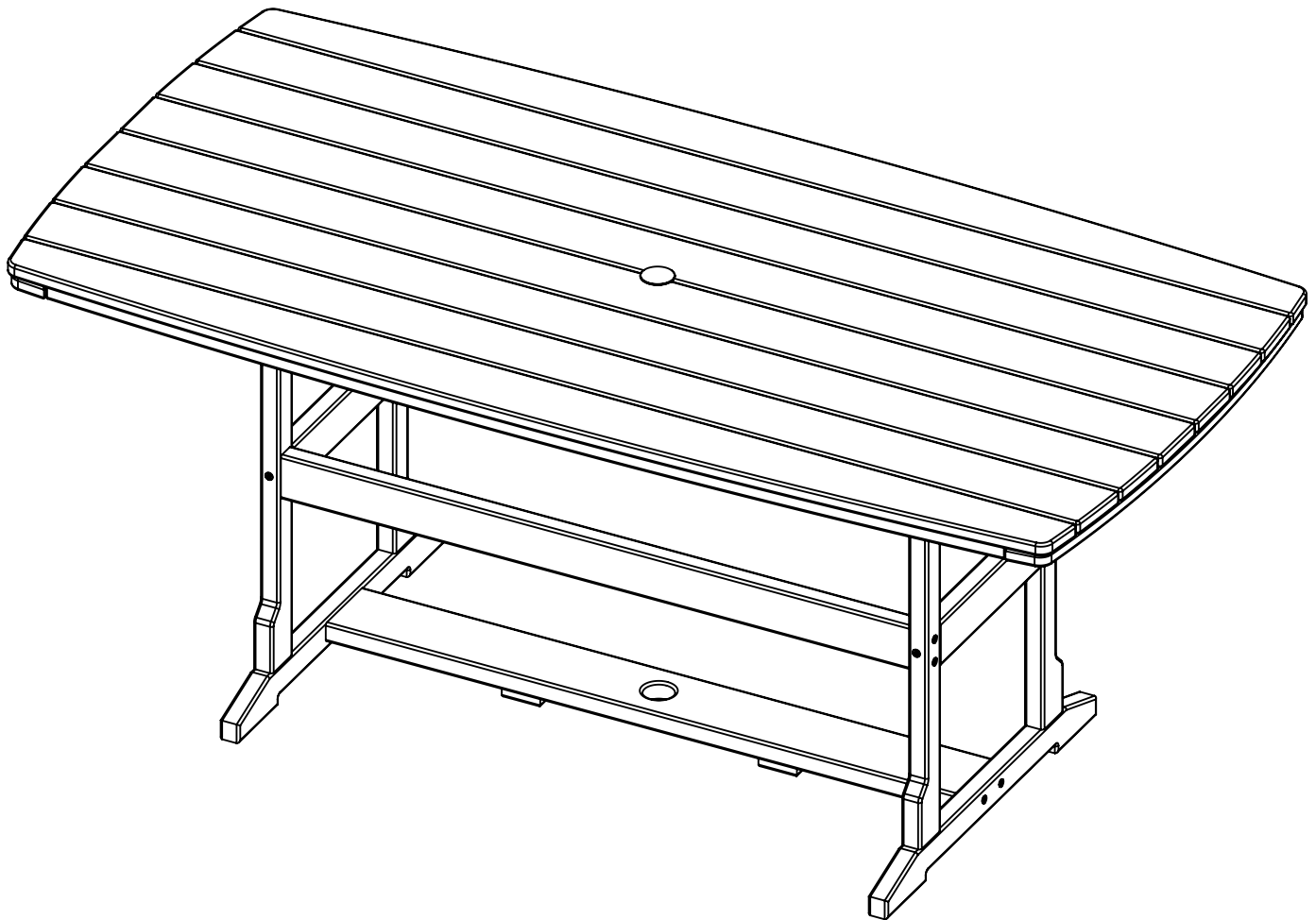
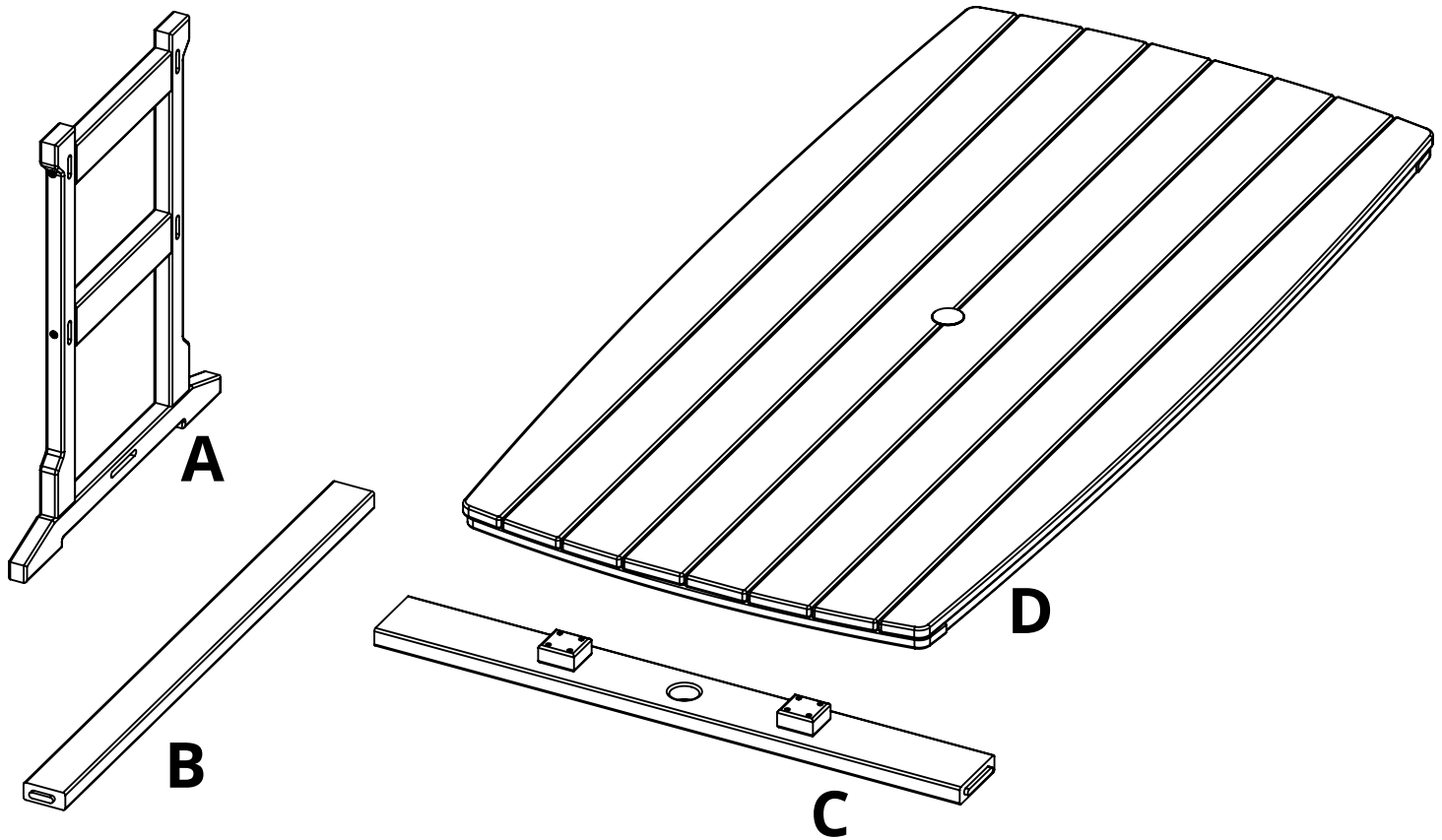


breezesta™

42"x 84" COUNTER TABLE
CH-0816

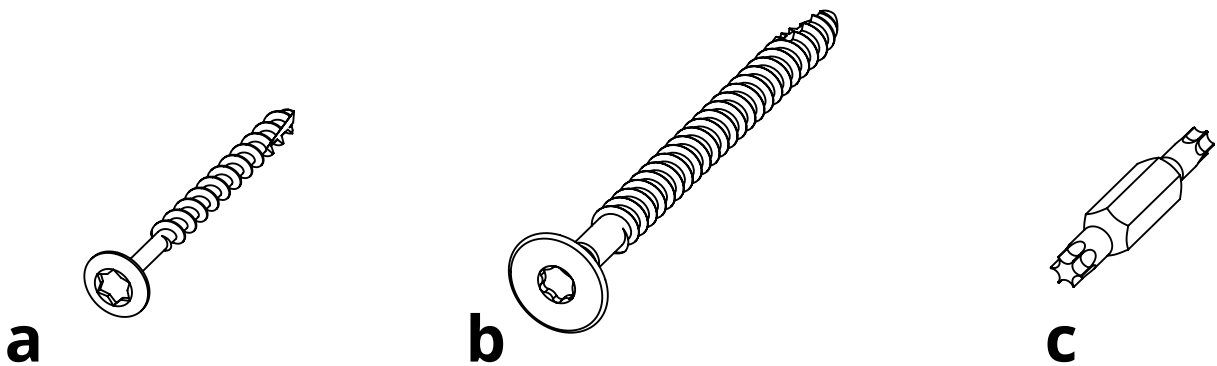


REV01-2/19



PARTS

PART	DESCRIPTION	PART NO.	QTY
A	SIDE ASSEMBLY	SA-00243	2
B	LONG SPREADER	PRT-00557	4
C	BASE SPREADER ASSEMBLY	SA-00335	1
D	TABLE TOP ASSEMBLY 42"x 84"	SA-00330	1



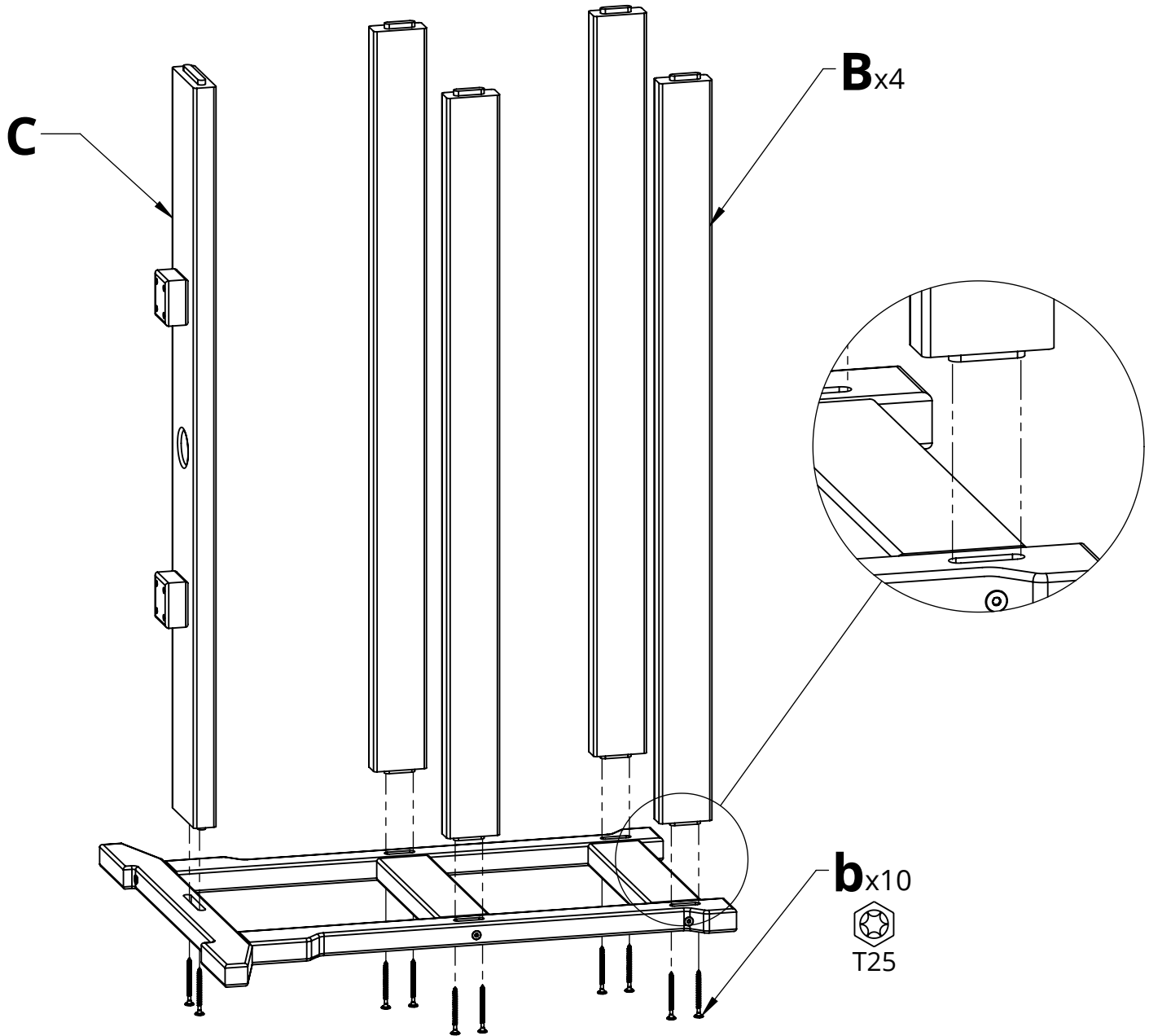
HARDWARE

PART	DESCRIPTION	PART NO.	QTY
a	#8 X 2" TORX SCREW	H-0000-S82	4
b	1/4-10 X 3" LAG	H-0000-S103	20
c	T20 & T25 TORX BIT	H-0000-CTD	1

Suggested Tools: Drill, Plastic Mallet

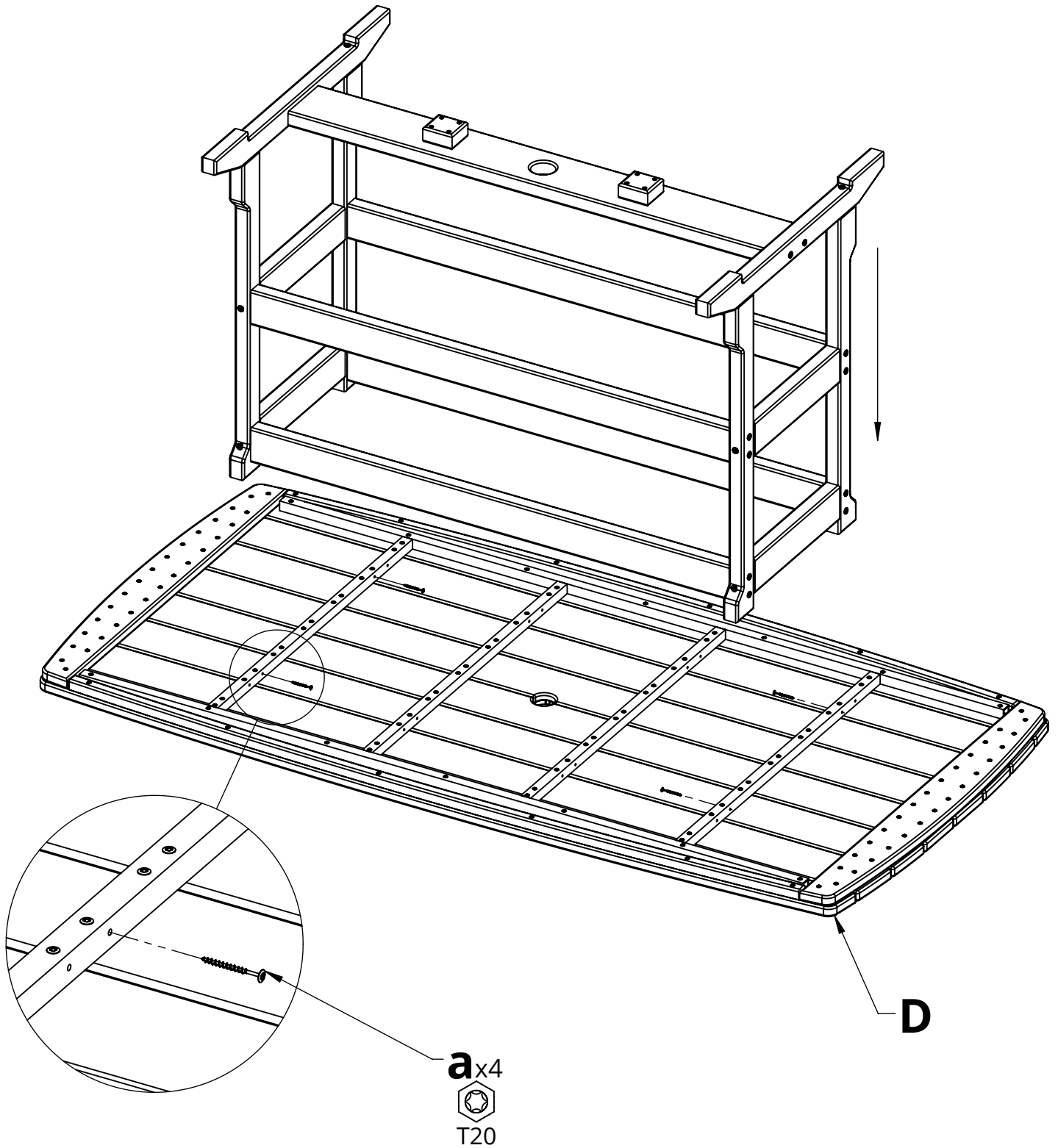
Please read entire instructions before beginning

- 1.** Attach Part B and Part C to Part A using Hardware b



- 2.** Place second Part A on assembled piece from Step 1;
Repeat Step 1

3. Attach Part A onto Part D using Hardware a



May be easier if assembled upside down