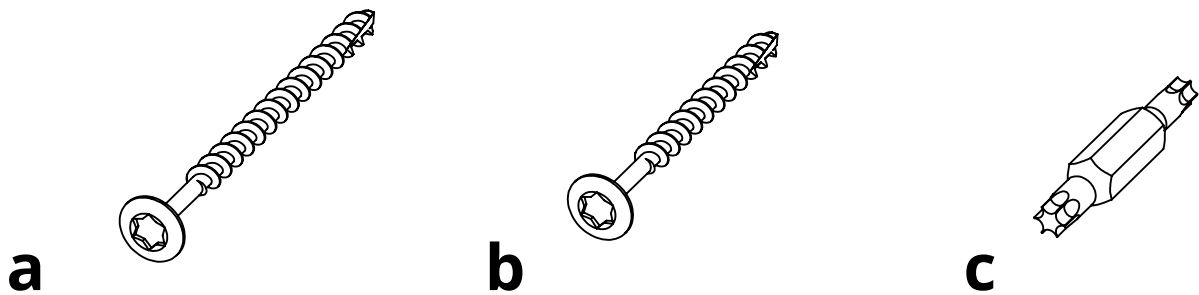


<b>PARTS</b>			
<b>PART</b>	<b>DESCRIPTION</b>	<b>PART NO.</b>	<b>QTY</b>
A	SIDE ASSEMBLY	SA-00305	2
B	STOOL SPREADER	SS-11.25	6
C	TABLE TOP ASSEMBLY 26"ROUND	SA-00300	1

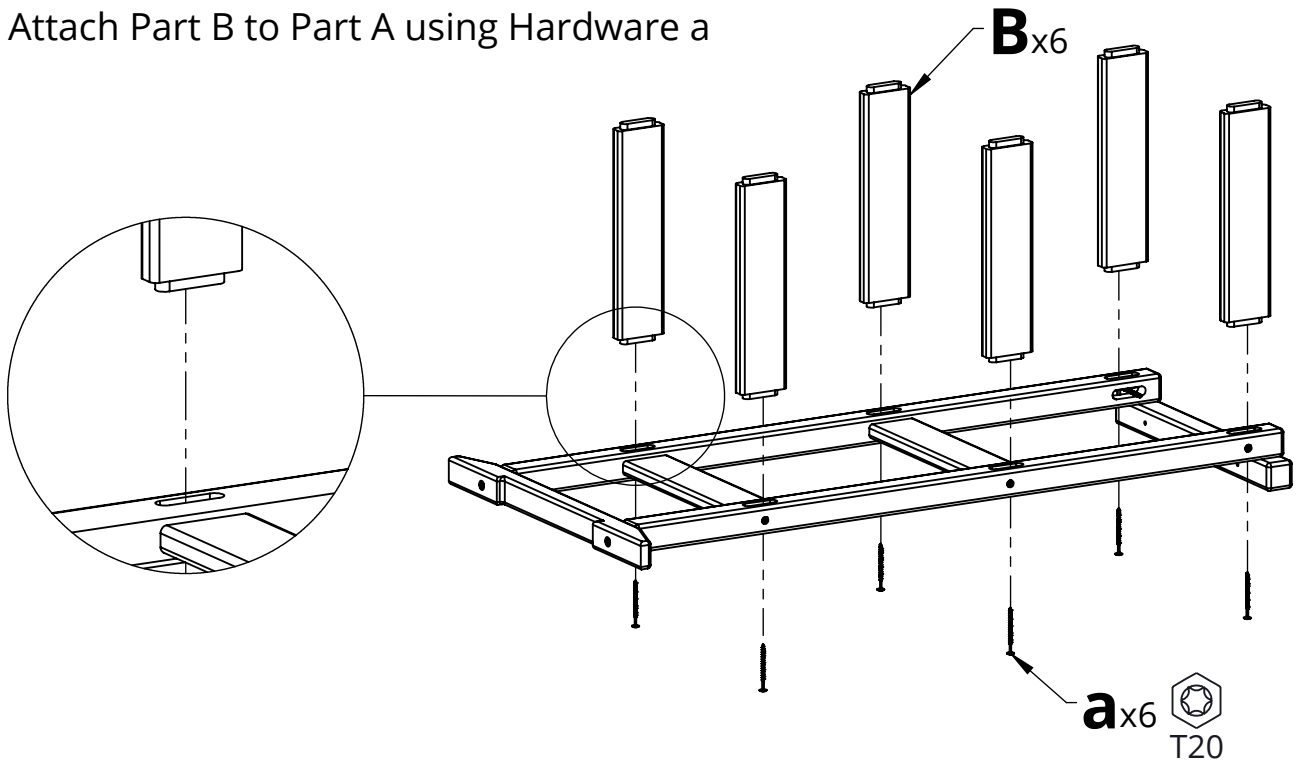


<b>HARDWARE</b>			
<b>PART</b>	<b>DESCRIPTION</b>	<b>PART NO.</b>	<b>QTY</b>
a	#8 2-1/2" TORX SCREW	H-0000-S825	12
b	#8 X 2" TORX SCREW	H-0000-S82	6
c	T20 & T25 TORX BIT	H-0000-CTD	1

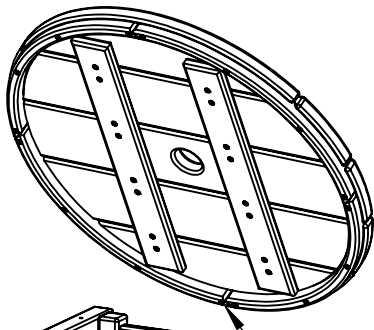
**Suggested Tools:** Drill, Plastic Mallet

# Please read entire instructions before beginning

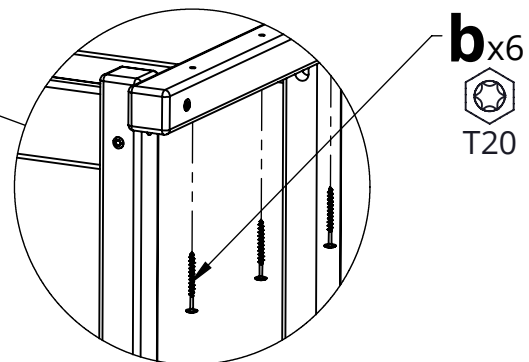
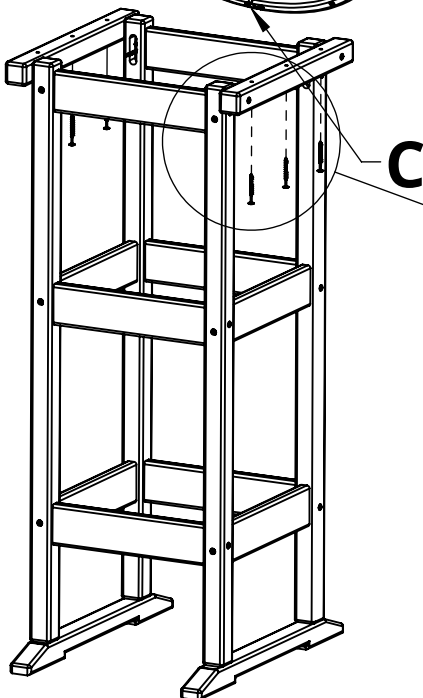
- 1.** Attach Part B to Part A using Hardware a



- 2.** Place second Part A on assembled piece from Step 1, Attach with Hardware a



- 3.** Place Part C onto Part A, attach using Hardware b



May be easier if assembled upside down