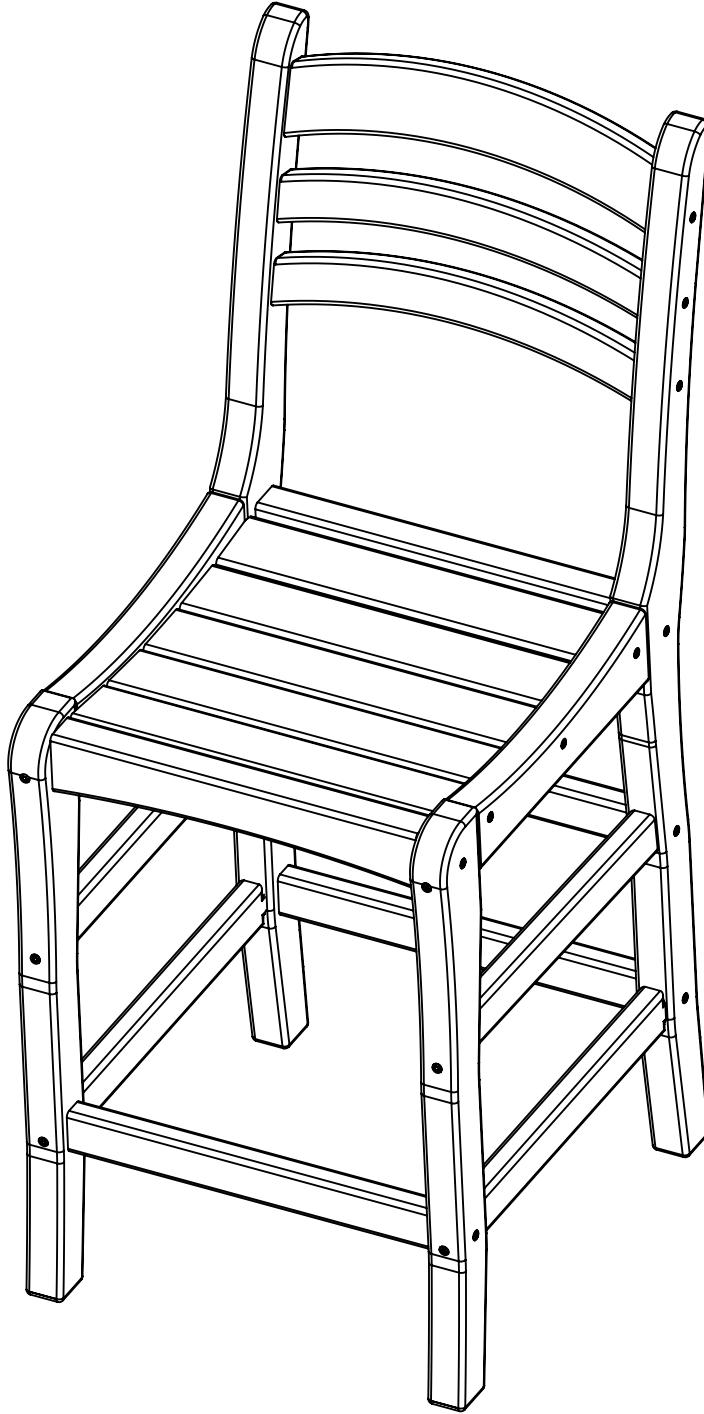
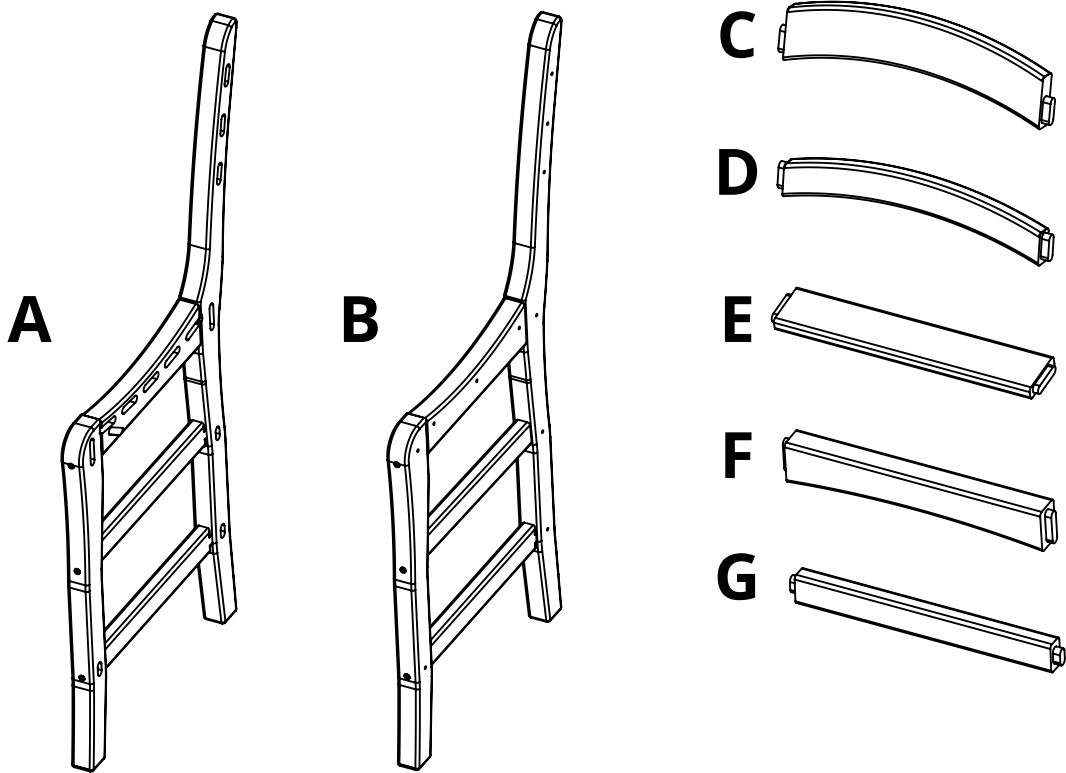


breezesta™

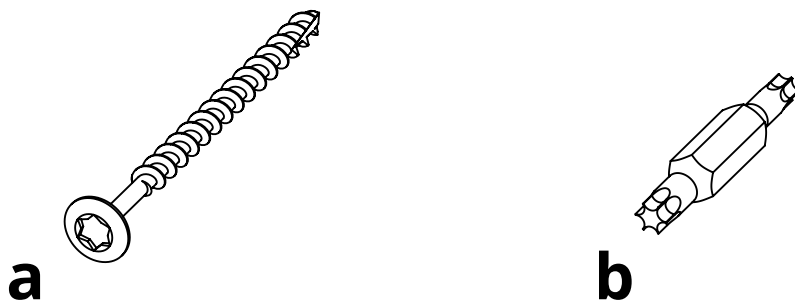
AVANTI SIDE COUNTER CHAIR
AV-0602



REV00-1/19



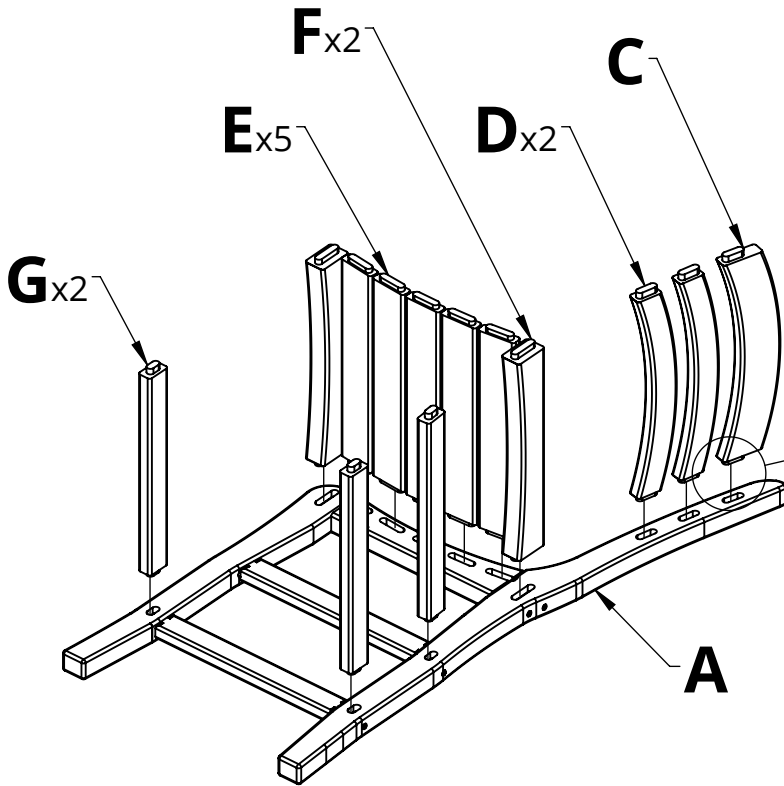
PARTS			
PART	DESCRIPTION	PART NO.	QTY
A	LEFT SIDE ASSEMBLY	SA-00119	1
B	RIGHT SIDE ASSEMBLY	SA-00120	1
C	TOP BACK SLAT	PRT-00220	1
D	BOTTOM BACK SLAT	PRT-00221	2
E	AVANTI SIDE CHAIR SEAT SLAT	SS-15.06	5
F	FRONT/BACK RAIL	PRT-00219	2
G	SPREADER	PRT-00218	3



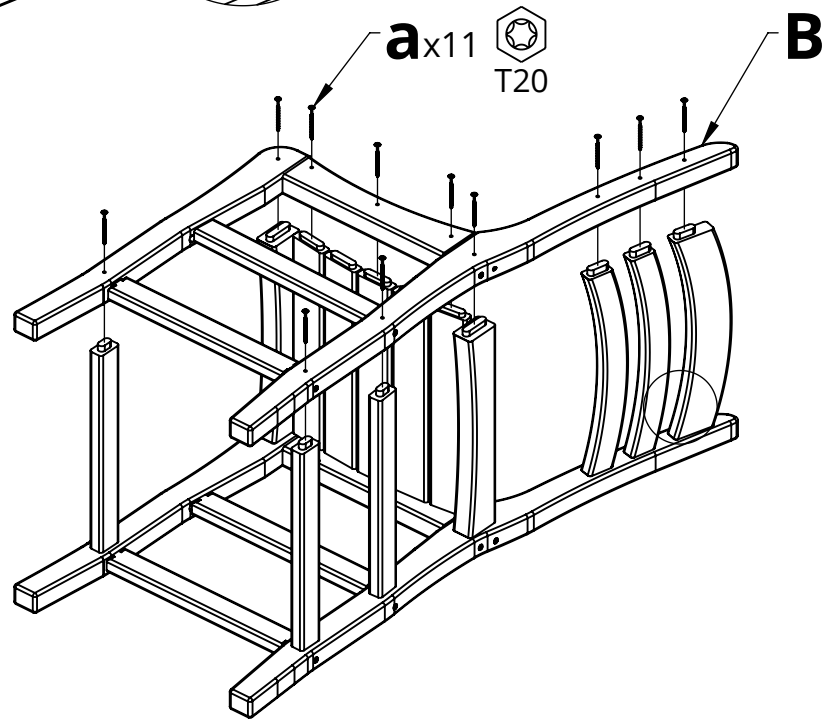
HARDWARE			
PART	DESCRIPTION	PART NO.	QTY
a	#8 X 2-1/2" TORX SCREW	H-0000-S825	22
b	T20 & T25 TORX BIT	H-0000-CTD	1

Suggested Tools: Drill, Plastic Mallet

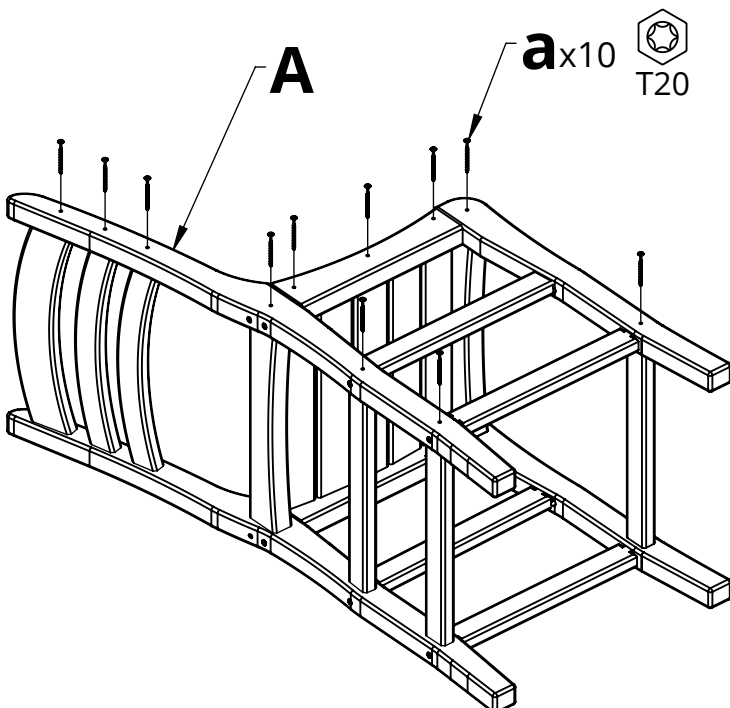
Please read entire instructions before beginning



1. Place Part A on its side and place all Parts in as shown



2. Place Part B on top & connect it using the Hardware a



3. Turn the assembly over so Part A is up & connect it using Hardware a