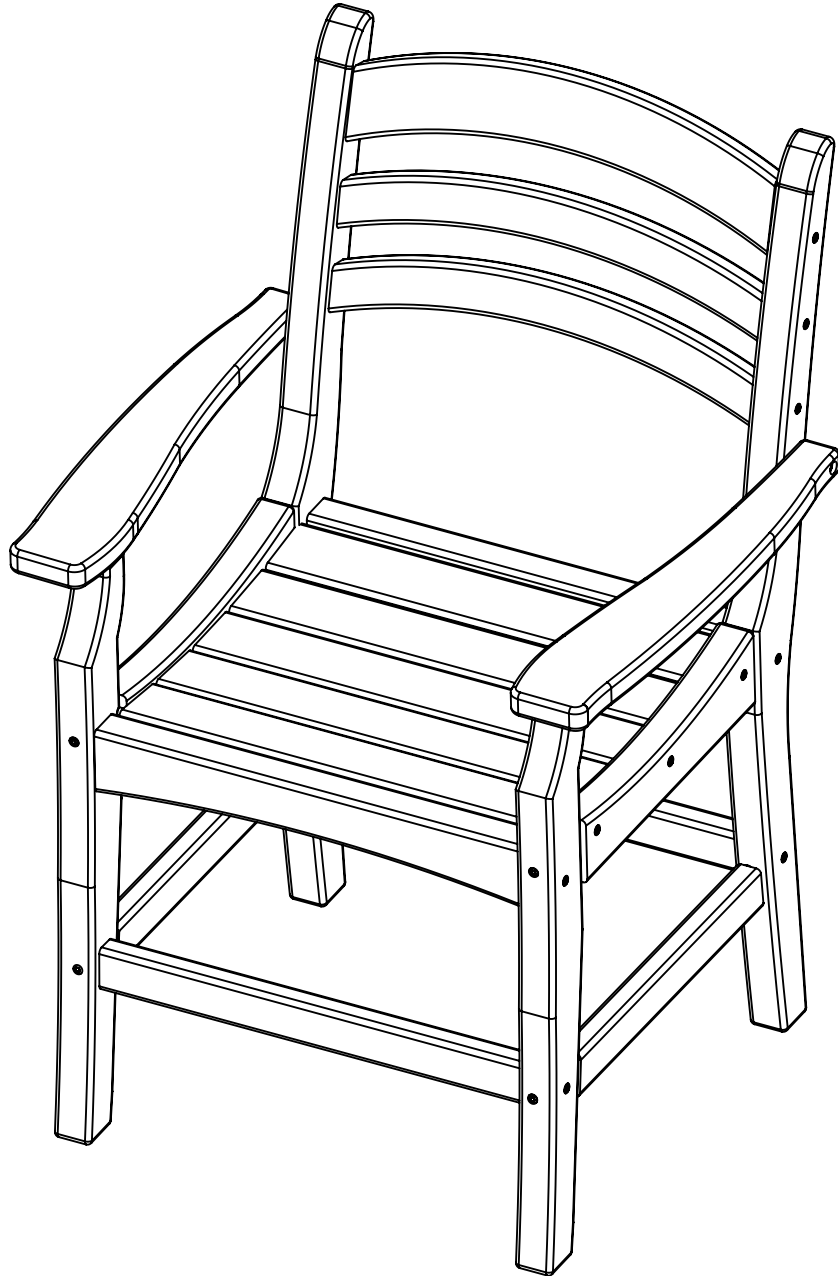
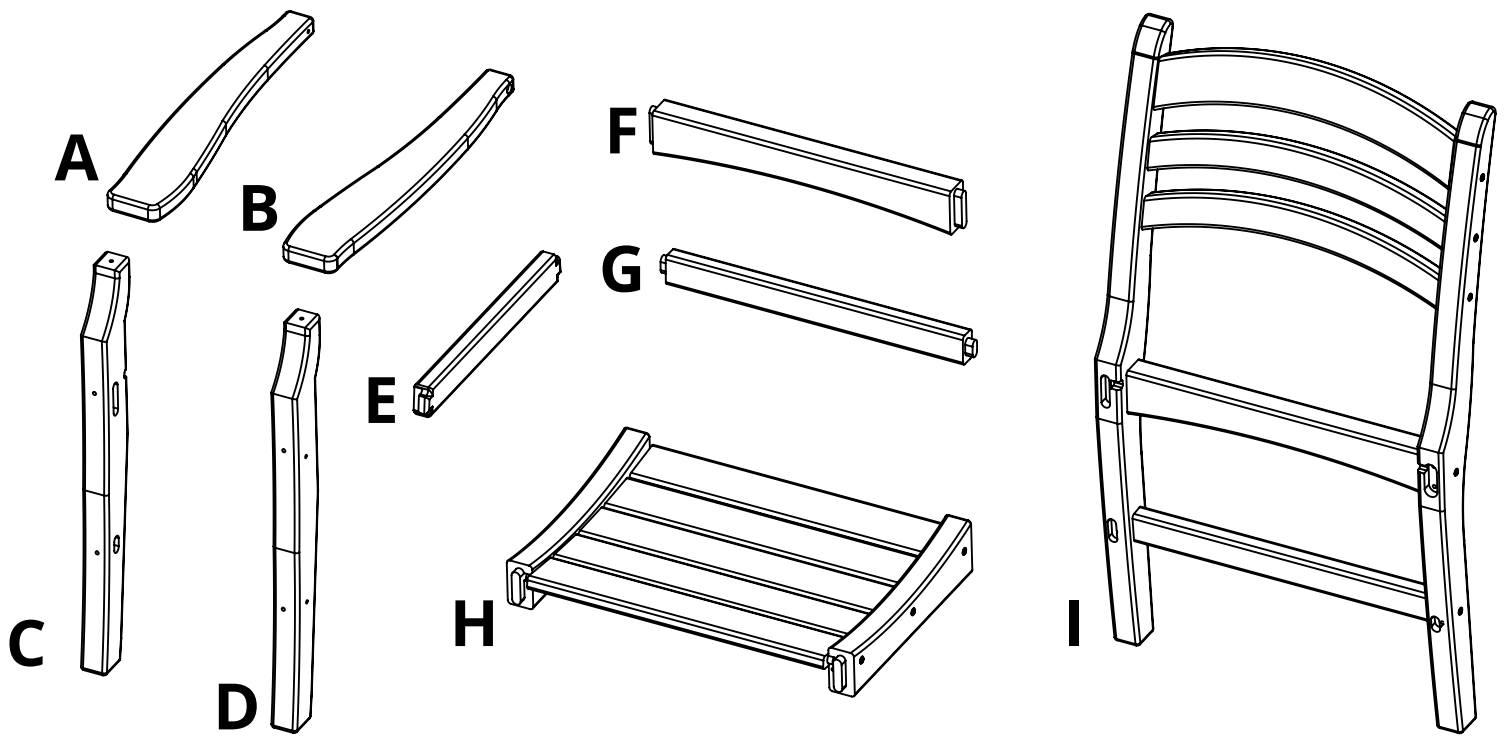


breezesta™

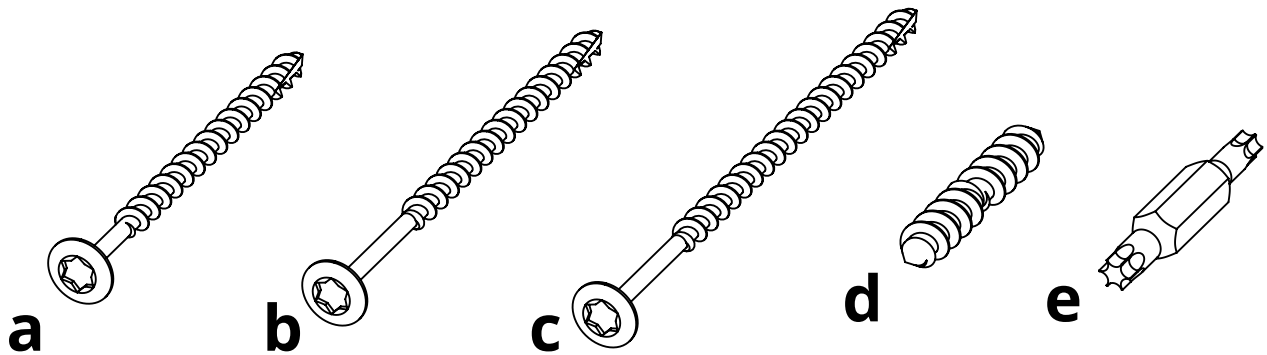
AVANTI DINING CAPTAIN'S CHAIR
AV-0601



REV00-1/19



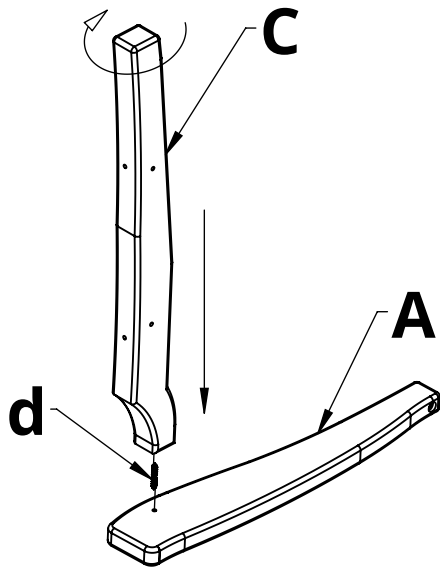
PARTS			
PART	DESCRIPTION	PART NO.	QTY
A	LEFT ARM	PRT-00239	1
B	RIGHT ARM	PRT-00240	1
C	LEFT FRONT LEG	PRT-00237	1
D	RIGHT FRONT LEG	PRT-00238	1
E	ANGLED SPREADER	PRT-00213	2
F	FRONT/BACK RAIL	PRT-00235	2
G	SPREADER	PRT-00236	1
H	SEAT ASSEMBLY	SA-00125	1
I	BACK ASSEMBY	SA-00124	1



HARDWARE			
PART	DESCRIPTION	PART NO.	QTY
a	#8 X 2-1/2" TORX SCREW	H-0000-S825	6
b	#8 X 3" TORX SCREW	H-0000-S83	4
c	#8 X 3-1/2" TORX SCREW	H-0000-S835	6
d	DOUBLE SCREW	H-0000-DS	2
e	T20 & T25 TORX BIT	H-0000-CTD	1

Suggested Tools: Drill, Plastic Mallet

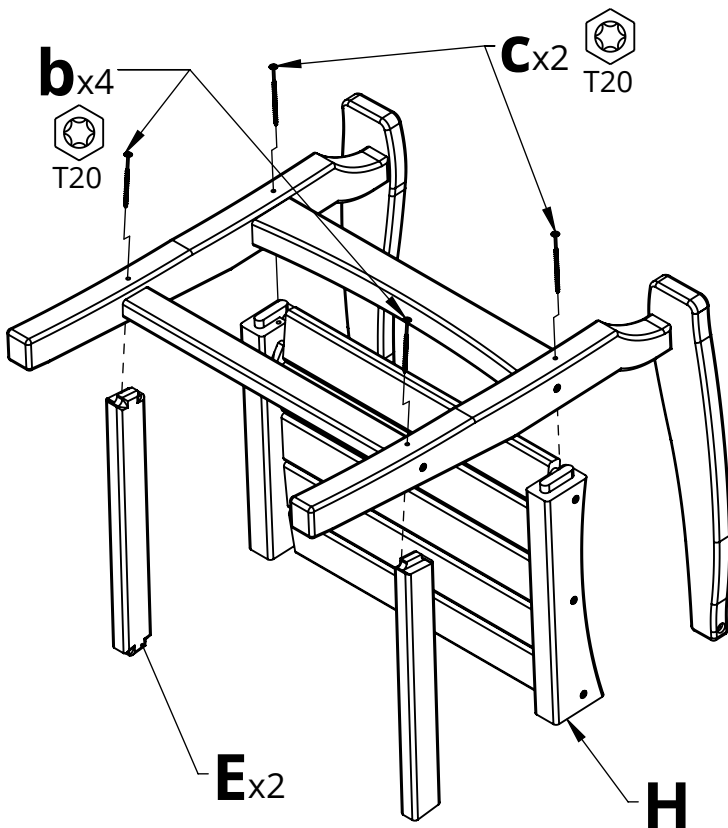
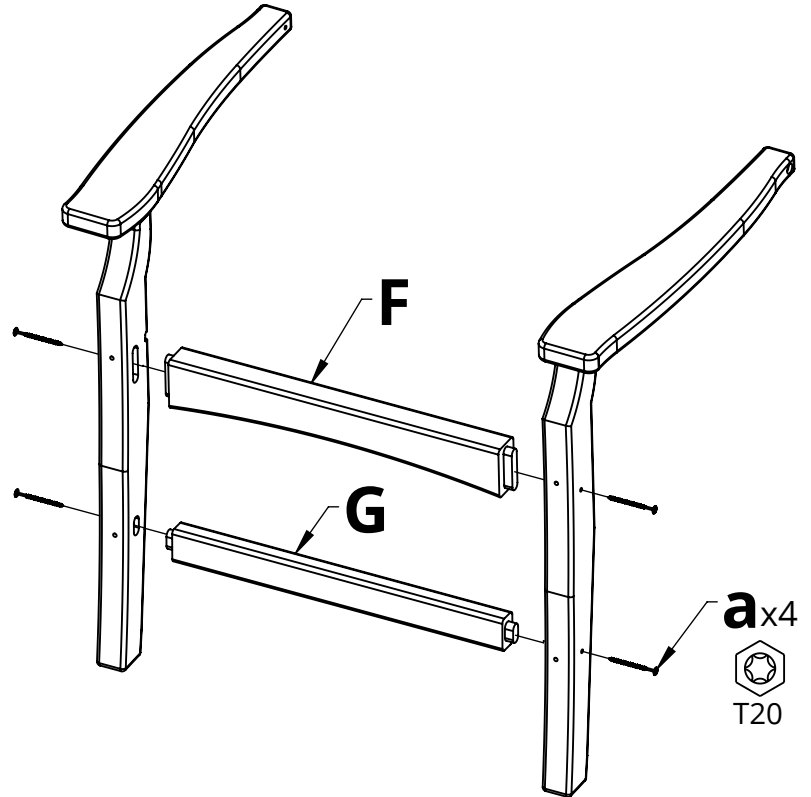
Please read entire instructions before beginning



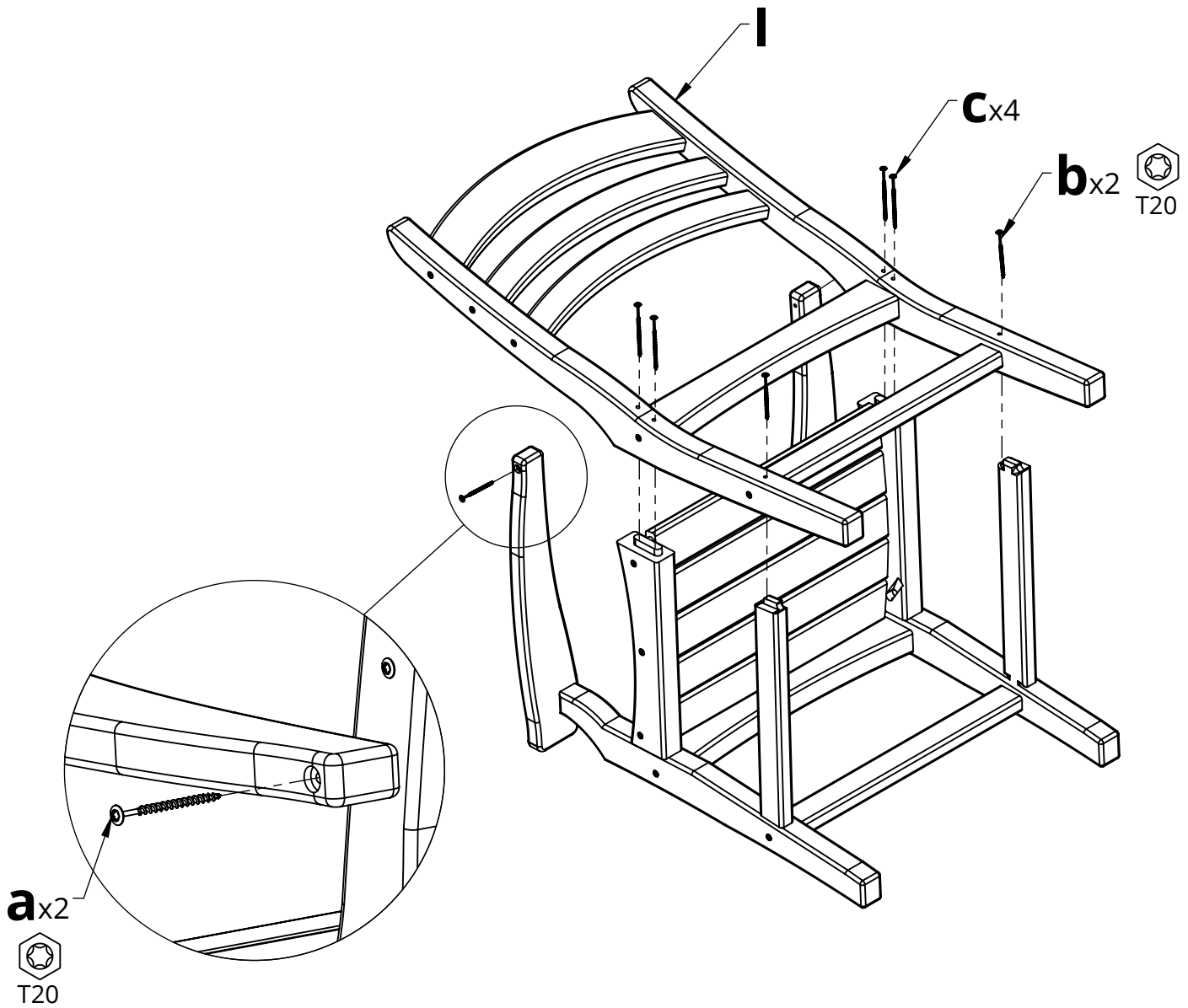
1. Rotate Part C clockwise onto Part A with Hardware d, stop when the connection is snug & in the correct orientation

2. Repeat Step 1 with Parts B & D

3. Place Parts F & G between the previous assemblies and connect them as shown



4. Insert Parts H & E into the assembly as shown and connect them using the hardware shown



5. Turn the assembly over & attach Part I as shown