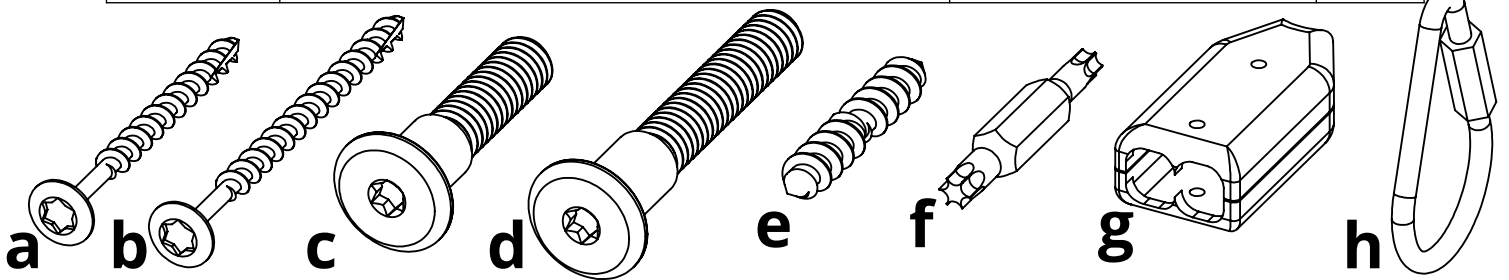


PARTS

PART	DESCRIPTION	PART NO.	QTY
A	LEFT BACK LEG ASSEMBLY	SA-00108	1
B	LEFT FRONT LEG ASSEMBLY	SA-00107	1
C	RIGHT BACK LEG ASSEMBLY	SA-00109	1
D	RIGHT FRONT LEG ASSEMBLY	SA-00056	1
E	UNDER ARM SUPPORT	PRT-00146	2
F	LEFT ARM ASSEMBLY	SA-00110	1
G	RIGHT ARM ASSEMBLY	SA-00111	1
H	SEAT ASSEMBLY	SA-00104	1
I	BACK ASSEMBLY	SA-00069	1

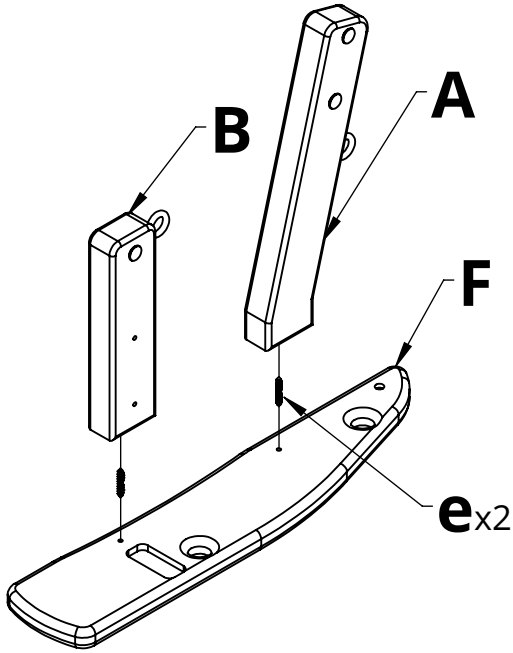


HARDWARE

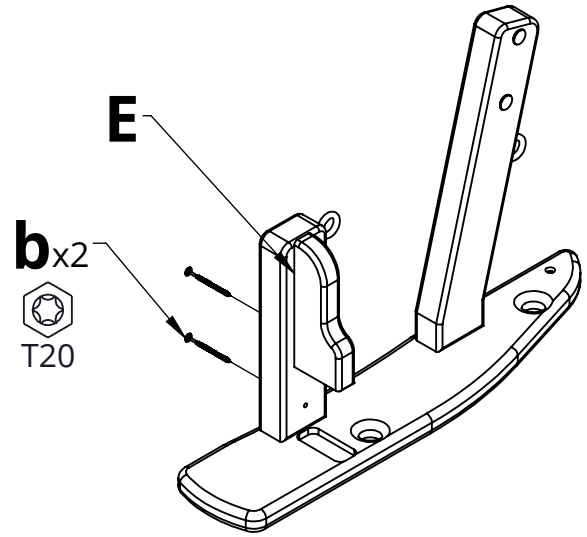
PART	DESCRIPTION	PART NO.	QTY
a	#8 X 2" TORX SCREW	H-0000-S82	2
b	#8 X 2-1/2" TORX SCREW	H-0000-S825	4
c	5/16" X 1-1/2" CHAIR BOLT	H-0000-CB51615	2
d	5/16" X 2-1/8" CHAIR BOLT	H-0000-CB516218	6
e	DOUBLE SCREW	H-0000-DS	4
f	T20 & T25 TORX BIT	H-0000-CTD	1
g	ROPE CLAMP	H-0000-RC	4
h	QUICK LINK	H-0000-QLPS	2
i	8FT SWING ROPE-NOT SHOWN	H-0000-SR	2

Suggested Tools: Drill, Plastic Mallet

Please read entire instructions before beginning

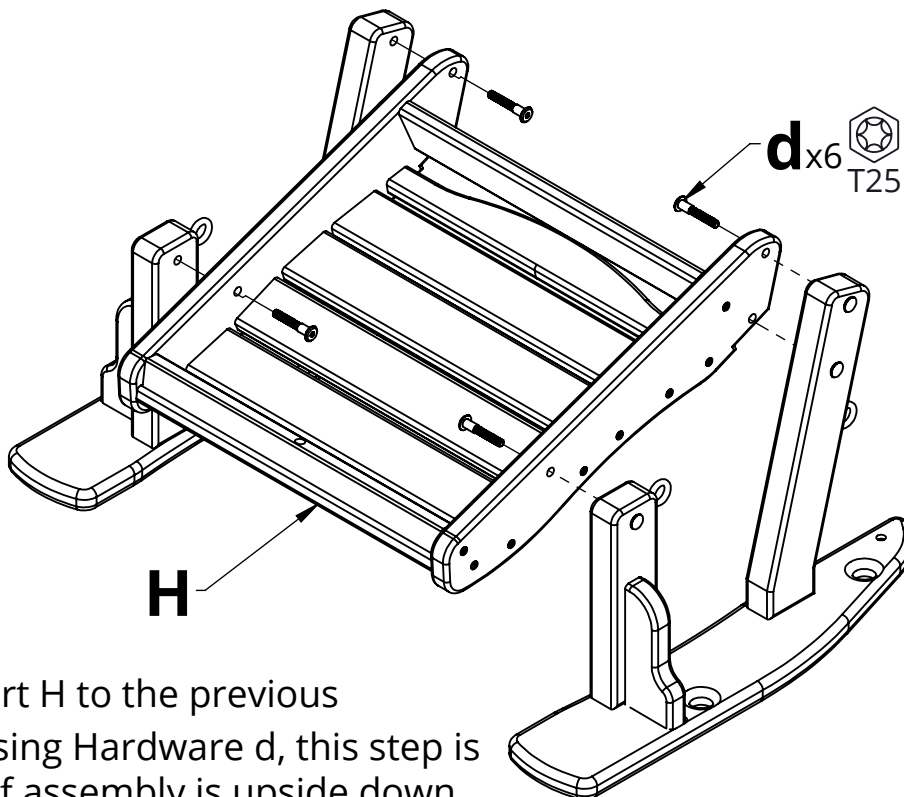


1. Attach Parts A & B to Part F by inserting Hardware e into the pre-drilled holes and rotating clockwise, stopping when the assembly is tight

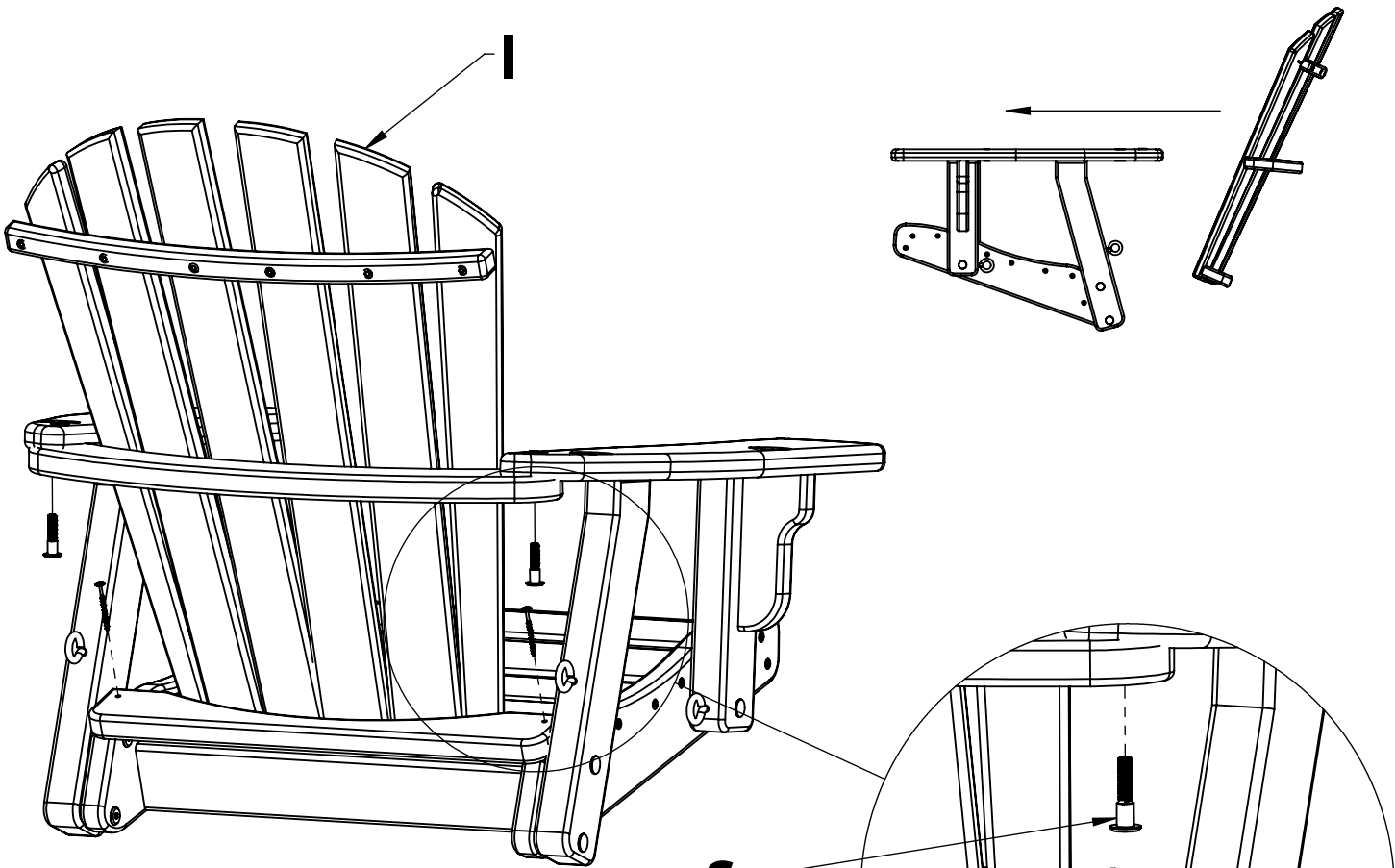


2. Place Part E into the pre-cut slot & attach it with Hardware b

3. Repeat Steps 1 & 2 with Parts C, D, E, G



4. Attach Part H to the previous assemblies using Hardware d, this step is made easier if assembly is upside down



5. Slide Part I into place and attach it using the hardware shown

cx2

 T25

ax2

 T20



1



2

Rope Assembly

- 1)** At the center of each rope tie the knot seen in image 1 with Hardware h.
- 2)** Feed the ends of one rope through the two holes of one arm. Pass the rope ends through one eyebolt each and install the clamp (Hardware g) in image 2 by removing the screws, opening it up, inserting the rope, closing and replacing the screws as shown.