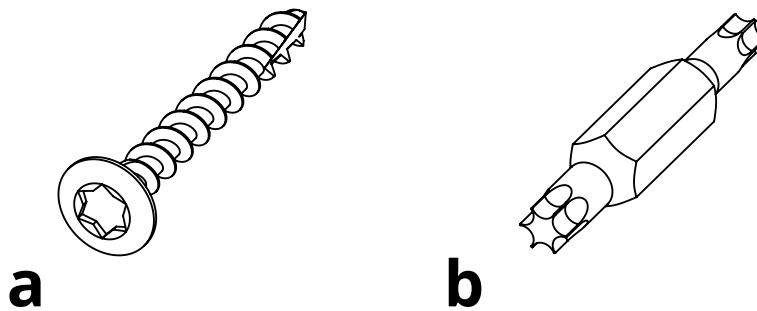


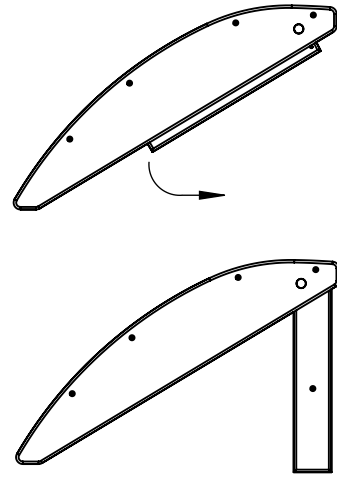
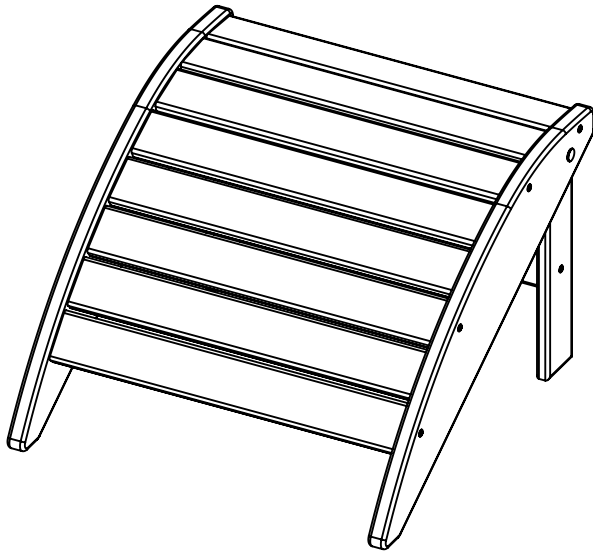
PARTS			
PART	DESCRIPTION	PART NO.	QTY
A	BASE ASSEMBLY	AD-0100-10	1



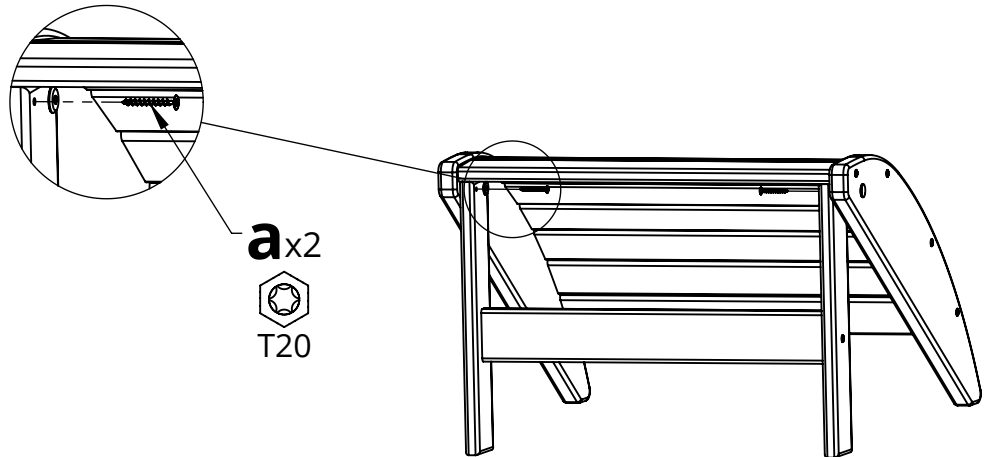
HARDWARE			
PART	DESCRIPTION	PART NO.	QTY
a	#8 X 1-1/2" TORX SCREW	H-0000-S815	2
b	T20 & T25 TORX BIT	H-0000-CTD	1

Suggested Tools: Drill

Please read entire instructions before beginning



- 1.** Remove Part A from the box and pivot the legs down as shown



- 2.** Secure the legs with Hardware a